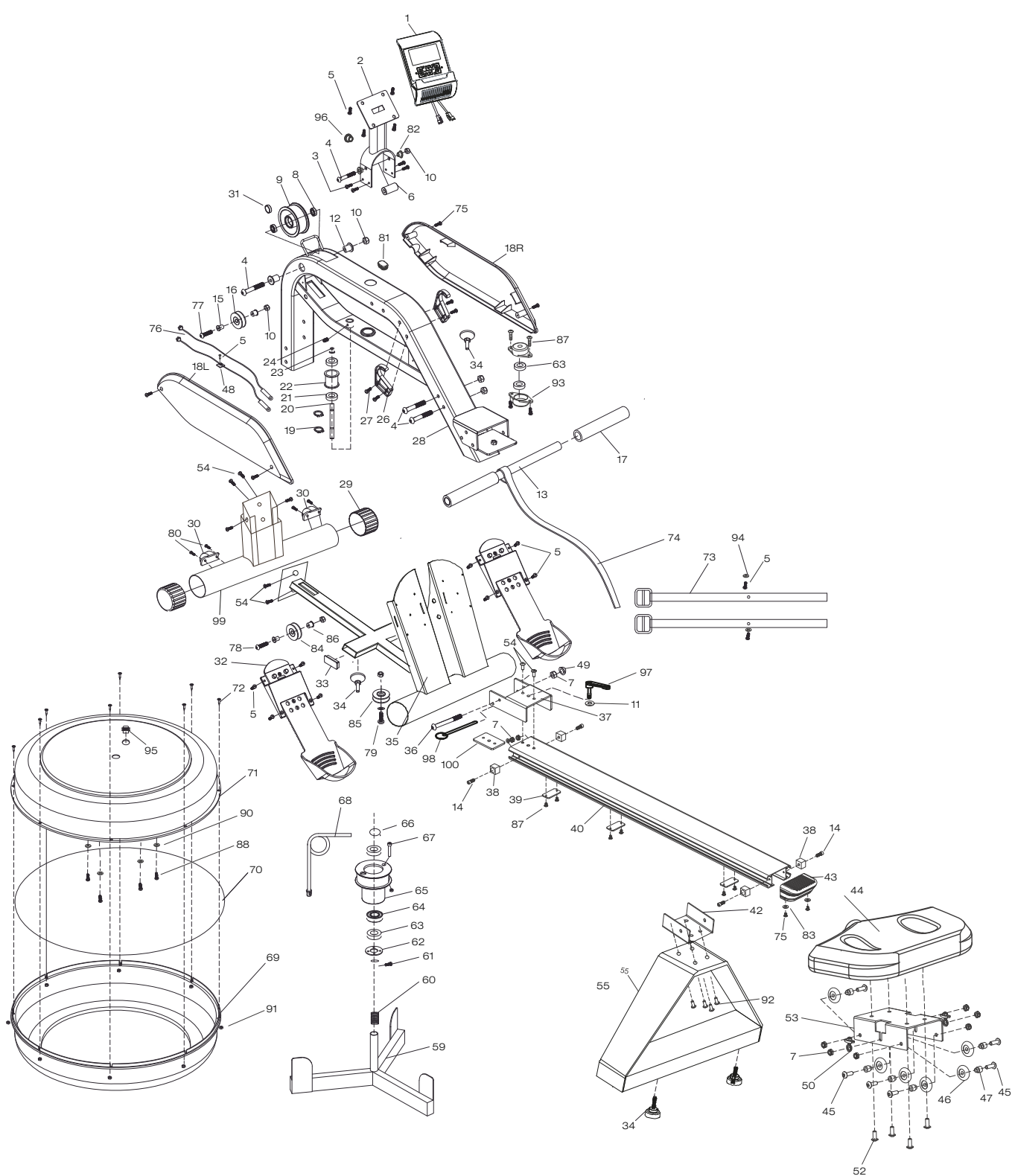


EXPLOSION-DRAWING / SPAREPARTS-OVERVIEW

EXPLOSIONSZEICHNUNG / ERSATZTEILLISTE



SPORTSTECH

ROWING MACHINE WRX400

RUDERMASCHINE WRX400

Number in explosion drawing	Item number	Description
1	SP_WRX400_01	Computer
2	SP_WRX400_02	Computer bracket
3	SP_WRX400_03	Screw M6x16
4	SP_WRX400_04	Allen bolt M10x95
5	SP_WRX400_05	Screw M5x10
6	SP_WRX400_06	Roller
7	SP_WRX400_07	Nylon nut M8
8	SP_WRX400_08	Bearing
9	SP_WRX400_09	Pulley
10	SP_WRX400_10	Nylon nut M10
11	SP_WRX400_11	Flat washer M10
12	SP_WRX400_12	Bush M10x23L
13	SP_WRX400_13	Handlebar
14	SP_WRX400_14	Screw M8x25
15	SP_WRX400_15	Bush M10x17,5L
16	SP_WRX400_16	Pulley
17	SP_WRX400_17	Handle grip
18	SP_WRX400_18L	Left cover
18	SP_WRX400_18R	Right cover
19	SP_WRX400_19	C pulley
20	SP_WRX400_20	Shaft
21	SP_WRX400_21	Bearing
22	SP_WRX400_22	Pulley
23	SP_WRX400_23	Bush
24	SP_WRX400_24	Screw M6x8
26	SP_WRX400_26	Handlebar holder
27	SP_WRX400_27	Screw M6x20
28	SP_WRX400_28	Main frame
29	SP_WRX400_29	Round end cap
30	SP_WRX400_30	Roller
31	SP_WRX400_31	Magnet
32	SP_WRX400_32	Adjustable footplate
33	SP_WRX400_33	End cap
34	SP_WRX400_34	Level adjustable M10x85
35	SP_WRX400_35	Base frame
36	SP_WRX400_36	Allen bolt M8x130
37	SP_WRX400_37	Rail connection
38	SP_WRX400_38	Stopper
39	SP_WRX400_39	Metal plate
40	SP_WRX400_40	Main rail
42	SP_WRX400_42	Rear base
43	SP_WRX400_43	Rail end cap
44	SP_WRX400_44	Seat
45	SP_WRX400_45	Allen bolt M8x30
46	SP_WRX400_46	Roller
47	SP_WRX400_47	Spacer
48	SP_WRX400_48	Sensor with holder
49	SP_WRX400_49	Nut cap
50	SP_WRX400_50	Roller adjuster
52	SP_WRX400_52	Allen bolt M6x16

Number in explosion drawing	Item number	Description
53	SP_WRX400_53	Seat bracket
54	SP_WRX400_54	Screw M8x16
55	SP_WRX400_55	Rear stabilizer
59	SP_WRX400_59	Paddle
60	SP_WRX400_60	Dia spindle 20
61	SP_WRX400_61	Screw M5x10
62	SP_WRX400_62	Fixture
63	SP_WRX400_63	Bearing
64	SP_WRX400_64	One way bearing
65	SP_WRX400_65	AB wheel
66	SP_WRX400_66	Bush
67	SP_WRX400_67	Allen bolt M6x30
68	SP_WRX400_68	Elastic rope
69	SP_WRX400_69	Lower tank
70	SP_WRX400_70	Rubber ring
71	SP_WRX400_71	Upper tank
72	SP_WRX400_72	Screw
73	SP_WRX400_73	Velco strip
74	SP_WRX400_74	Drive strip
75	SP_WRX400_75	Self-tapping screw 4x19
76	SP_WRX400_76	Sensor wire
77	SP_WRX400_77	Screw M10x85
78	SP_WRX400_78	Screw M10x70
79	SP_WRX400_79	Screw M8x45
80	SP_WRX400_80	Rivet 5x20
81	SP_WRX400_81	Decorative cover
82	SP_WRX400_82	Bush
83	SP_WRX400_83	M4 washer
84	SP_WRX400_84	Pulley
85	SP_WRX400_85	Pulley
86	SP_WRX400_86	Bush
87	SP_WRX400_87	Screw M6x10
88	SP_WRX400_88	Stainless steel screw M6x16
90	SP_WRX400_90	Waterproof rubber gasket
91	SP_WRX400_91	Nut M3
92	SP_WRX400_92	Screw M8x10
93	SP_WRX400_93	Bearing block
94	SP_WRX400_94	Washer M5
95	SP_WRX400_95	Plug
96	SP_WRX400_96	Grommet
97	SP_WRX400_97	Quick handle
98	SP_WRX400_98	Pin
99	SP_WRX400_99	Front stabilizer
100	SP_WRX400_100	Fixed piece
not in drawing	SP_WRX400_101	Seat set
not in drawing	SP_WRX400_Carton	Carton
not in drawing	SP_WRX400_Manual	Manual
not in drawing	SP_WRX400_Screw set	Screw and tool set