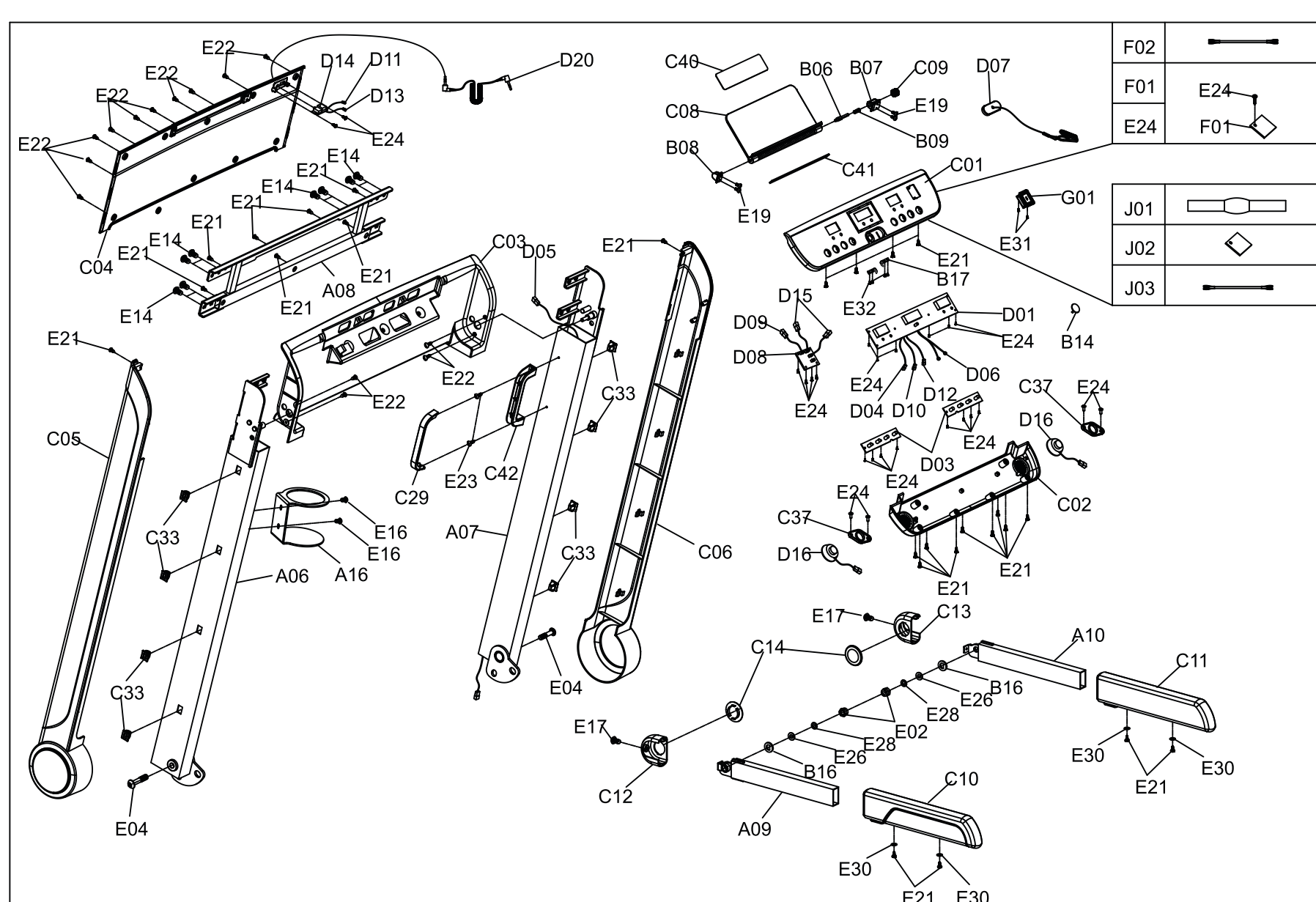
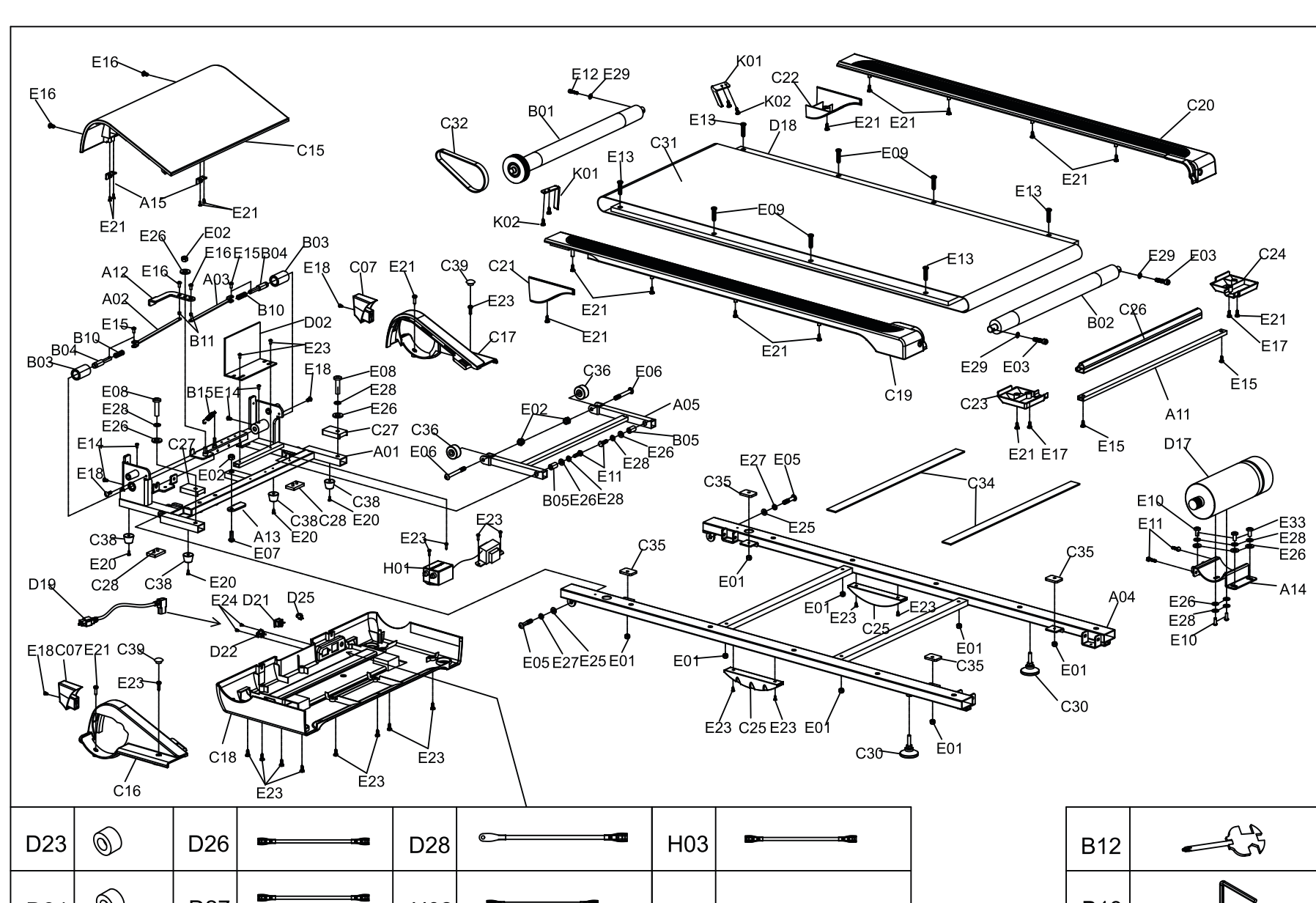


# Treadmill FX300



## EXPLOSION-DRAWING / SPAREPARTS-OVERVIEW EXPLOSIONSZEICHNUNG / ERSATZTEILLISTE

No. in explosion drawing	Item No.	Description
A01	SP_FX300_A01	Base frame
A02	SP_FX300_A02	Guide rod connecting frame 1
A03	SP_FX300_A03	Guide rod connecting frame 2
A05	SP_FX300_A05	Folding frame
A06	SP_FX300_A06	Left upright tube
A07	SP_FX300_A07	Right upright tube
A08	SP_FX300_A08	Computer bracket
A09	SP_FX300_A09	Left handle bar bracket
A10	SP_FX300_A10	Right handle bar bracket
A11	SP_FX300_A11	Rear horizontal tube
A12	SP_FX300_A12	Rotating plate
A13	SP_FX300_A13	Folding fixed board
A14	SP_FX300_A14	Motor bracket
A15	SP_FX300_A15	Motor cover thread board
A16	SP_FX300_A16	Bottle holder
B01	SP_FX300_B01	Front roller
B02	SP_FX300_B02	Rear roller
B03	SP_FX300_B03	Guide bushing
B04	SP_FX300_B04	Guide rod
B05	SP_FX300_B05	Folding turning bushing
B06	SP_FX300_B06	Tablet holder pin
B07	SP_FX300_B07	Tablet holder fixed base 1
B08	SP_FX300_B08	Tablet holder fixed base 2
B09	SP_FX300_B09	Compressed spring D6x18
B10	SP_FX300_B10	Compressed spring D10,5x30
B11	SP_FX300_B11	Bushing
B12	SP_FX300_B12	Spanner W/screw driver S=13,14,15
B13	SP_FX300_B13	Allen wrench 5mm
B14	SP_FX300_B14	Safety key metal sheets
B15	SP_FX300_B15	Pull spring
B16	SP_FX300_B16	D shape sheets
B17	SP_FX300_B17	Spring sheet
C01	SP_FX300_C01	Panel top cover
C02	SP_FX300_C02	Panel bottom cover
C03	SP_FX300_C03	Console top cover
C04	SP_FX300_C04	Console bottom cover
C05	SP_FX300_C05	SP_FX300_DO5
C06	SP_FX300_C06	Right upright tube side cover
C07	SP_FX300_C07	Front foot pad
C08	SP_FX300_C08	Holder
C09	SP_FX300_C09	Plastic nut
C10	SP_FX300_C10	Left handle bar
C11	SP_FX300_C11	Right handle bar
C12	SP_FX300_C12	Left handle bar front cover
C13	SP_FX300_C13	Right handle bar front cover
C14	SP_FX300_C14	Handle bar side cover
C15	SP_FX300_C15	Motor top cover
C16	SP_FX300_C16	Motor left side cover
C17	SP_FX300_C17	Motor right side cover
C18	SP_FX300_C18	Motor bottom cover
C19	SP_FX300_C19	Left side rail
C20	SP_FX300_C20	Right side rail
C21	SP_FX300_C21	Side rail left cover
C22	SP_FX300_C22	Side rail right cover
C23	SP_FX300_C23	Left side rail bottom cover
C24	SP_FX300_C24	Right side rail bottom cover
C25	SP_FX300_C25	Cushion
C26	SP_FX300_C26	Horizontal foam
C27	SP_FX300_C27	Square rubber pad
C28	SP_FX300_C28	Folding base rubber cushion
C29	SP_FX300_C29	Handle cover
C30	SP_FX300_C30	Versatile foot pad
C31	SP_FX300_C31	Running belt
C33	SP_FX300_C33	Upright tube buckle
C34	SP_FX300_C34	Long rubber pad
C35	SP_FX300_C35	Rubber cushion
C36	SP_FX300_C36	Adjustable wheel
C38	SP_FX300_C38	Foot pad
C39	SP_FX300_C39	End cap
C40	SP_FX300_C40	Holder silicone pad 1
C41	SP_FX300_C41	Holder silicone pad 2
C42	SP_FX300_C42	Handle
D01	SP_FX300_D01	Display board
D02	SP_FX300_D02	Control board
D03	SP_FX300_D03	Button board
D04	SP_FX300_D04	Upper signal wire
D05	SP_FX300_D05	Lower signal wire
D06	SP_FX300_D06	Safety key connecting wire
D07	SP_FX300_D07	Safety key
D11	SP_FX300_D11	USB power upper wire
D12	SP_FX300_D12	USB power lower wire
D14	SP_FX300_D14	USB module
D17	SP_FX300_D17	DC motor
D18	SP_FX300_D18	Running deck
D19	SP_FX300_D19	Power wire
D21	SP_FX300_D21	Square switch
D22	SP_FX300_D22	Power socket
D23	SP_FX300_D23	Magnetic ring
D24	SP_FX300_D24	Magnetic core
D25	SP_FX300_D25	Overload protector
D26	SP_FX300_D26	AC single line blue
D27	SP_FX300_D27	AC single line brown
D28	SP_FX300_D28	Grounding wire
E01	SP_FX300_E01	Nut M6
E02	SP_FX300_E02	Nut M8
E03	SP_FX300_E03	Bolt M6x55
E04	SP_FX300_E04	Bolt M10x60
E06	SP_FX300_E06	Bolt M10x25
E07	SP_FX300_E07	Bolt M8x40
E08	SP_FX300_E08	Bolt M8x35
E09	SP_FX300_E09	Bolt M8x25
E10	SP_FX300_E10	Bolt M6x35
E11	SP_FX300_E11	Bolt M8x15
E12	SP_FX300_E12	Bolt M8x30
E13	SP_FX300_E13	Bolt M6x50
E13	SP_FX300_E13	Bolt M6x25
E14	SP_FX300_E14	Bolt M6x10
E15	SP_FX300_E15	Bolt M5x16
E16	SP_FX300_E16	Bolt M5x12
E17	SP_FX300_E17	Bolt M5x8
E18	SP_FX300_E18	Bolt M6x10
E19	SP_FX300_E19	Bolt M4x10
E20	SP_FX300_E20	Screw ST4.2x20
E21	SP_FX300_E21	Screw ST4.2x12
E22	SP_FX300_E22	Screw ST4.2x15
E23	SP_FX300_E23	Screw ST4.2x12
E24	SP_FX300_E24	Screw ST2.9x8
E25	SP_FX300_E25	Flat washer 10
E26	SP_FX300_E26	Flat washer 8
E27	SP_FX300_E27	Spring washer 10
E28	SP_FX300_E28	Spring washer 8
E30	SP_FX300_E30	Lock washer 6
E31	SP_FX300_E31	Flat washer D5xD13x1.0
E33	SP_FX300_E33	Screw ST2.0x8
F01	SP_FX300_F01	Bolt M8x35 L15
F02	SP_FX300_F02	Bluetooth module
F02	SP_FX300_F02	Bluetooth power Line
G01	SP_FX300_G01	Infrared heart rate sensor
H01	SP_FX300_H01	Filter
H02	SP_FX300_H02	AC single line brown
H03	SP_FX300_H03	AC single line blue
JO2	SP_FX300_JO2	Polar wireless receiver
JO2	SP_FX300_JO2	HRC connecting wire
KO1	SP_FX300_KO1	Hook
KO2	SP_FX300_KO2	Screw ST4.2x12
not in drawing	SP_FX300_C43	Anti slip mat
not in drawing	SP_FX300_H04	Converter
not in drawing	SP_FX300_K03	Cable with circuit board
not in drawing	SP_FX300_K05	Speaker
not in drawing	SP_FX300_LO1	Display set
not in drawing	SP_FX300_Manual	Manual
not in drawing	SP_FX300_Accessory kit	Accessory kit