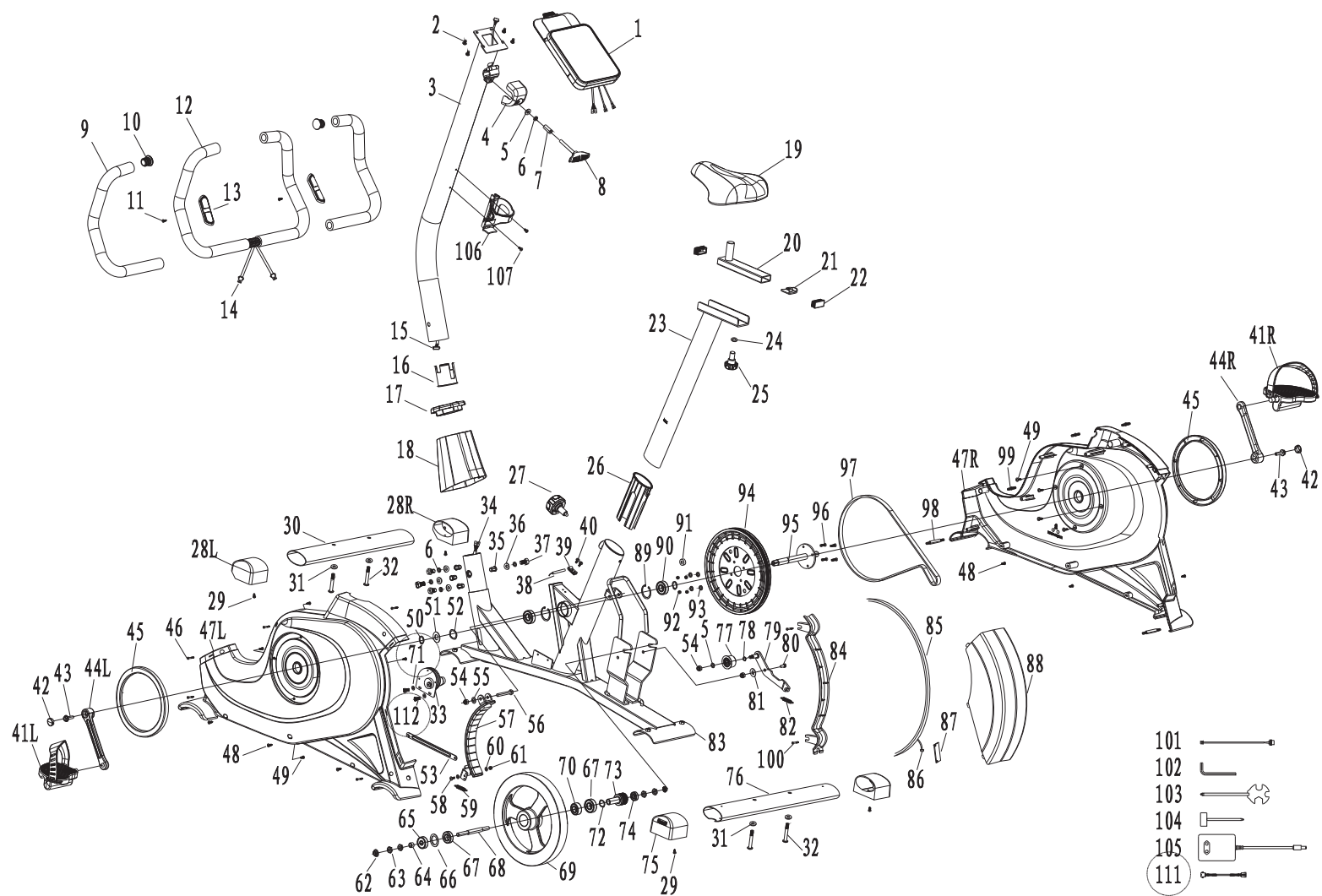


EXPLOSION-DRAWING / SPAREPARTS-OVERVIEW

EXPLOSIONSZEICHNUNG / ERSATZTEILLISTE



SPORTSTECH ERGOMETER ESX600

Item No	Description
SP_ESX600_01	Console
SP_ESX600_02	Umbrella head cross screw M5 x 12L
SP_ESX600_03	Handrail stand pipe
SP_ESX600_04	Movable style wench trim cover
SP_ESX600_05	Flat washer D8 x D14 x 2T
SP_ESX600_06	Spring washer D8
SP_ESX600_07	T type knob sleeve M8
SP_ESX600_08	T type knob M8
SP_ESX600_09	Handrail set
SP_ESX600_10	Tube plug
SP_ESX600_11	Shot head cross tapping screw ST3.5 x 20L
SP_ESX600_12	Simple armrest
SP_ESX600_13	Pulse holder
SP_ESX600_14	Pulse wire
SP_ESX600_15	Cable wire up
SP_ESX600_16	Handrail tube shrink tube bushing
SP_ESX600_17	The handrail stand pipe cover sheath
SP_ESX600_18	The handrail stand pipe cover
SP_ESX600_19	Saddle
SP_ESX600_20	Sliding block
SP_ESX600_21	Fixed screw with horizontal sliding seat 20 x 40
SP_ESX600_22	Tube plug 20 x 40
SP_ESX600_23	Seat tube
SP_ESX600_24	Flat washer D12 x D25 x 2T
SP_ESX600_25	Horizontal sliding seat knob
SP_ESX600_26	Positive oval bushing 30 x70
SP_ESX600_27	Pull pin
SP_ESX600_28L	Positive oval front foot pad left 40 x 80
SP_ESX600_28R	Positive oval front foot pad right 40 x 80
SP_ESX600_29	Umbrella head cross tapping screw ST3.9 x 16L
SP_ESX600_30	Front stabilizer
SP_ESX600_31	Semicircle washer D8 x D19 x 2T
SP_ESX600_32	Umbrella head hexagon socket screw M8 x P1.25 x 56L x S20L
SP_ESX600_33	Lever gear box assembly
SP_ESX600_34	Cable wire down
SP_ESX600_35	Pull cap hexagonal
SP_ESX600_36	Semicircle washer D8 x D19 x 2T
SP_ESX600_37	Hexagon socket screw M8 x P1.25 x 20L
SP_ESX600_38	Sensor wire down
SP_ESX600_39	Sensor bar fixing seat
SP_ESX600_40	Umbrella head cross screw M5 x 10L
SP_ESX600_41L	Pedal left
SP_ESX600_41R	Pedal right
SP_ESX600_42	Crank cover
SP_ESX600_43	Hexagonal pattern fastener screw M8 x P1.0 x 20L
SP_ESX600_44L	Crank left
SP_ESX600_44R	Crank right
SP_ESX600_45	Shell cover circle
SP_ESX600_46	Umbrella head cross tapping screw ST3.9 x 50L
SP_ESX600_47L	Shell top cover /lower cover
SP_ESX600_47R	Shell top cover /lower cover
SP_ESX600_48	Umbrella head cross drill screw 3/16 x 3/4
SP_ESX600_49	Ball head cross tapping cutting screw ST2.9 x 8L
SP_ESX600_50	Circlip for shaft D17
SP_ESX600_51	Flat washer D17.5 x D25 x 0.3
SP_ESX600_52	Wave washer D17.5 x D25 x 0.3T
SP_ESX600_53	Magnetic control group pull rod
SP_ESX600_54	Nylon nut M8 x 7T
SP_ESX600_55	Flat washer D8 x D16 x 2T
SP_ESX600_56	Hex agonal screw M8 x P1.25 x 55L x S17

Item No	Description
SP_ESX600_57	The magnetic control group
SP_ESX600_58	Umbrella head cross screw M5 x 12L
SP_ESX600_59	Feder D1 x D8.5 x 48L
SP_ESX600_60	Flat washer D5.5 x D12 x 2T
SP_ESX600_61	Nylon nut M5
SP_ESX600_62	The pattern nut 3/8 26 x 7T
SP_ESX600_63	Hex agonal screw 3/8 26 x 3.8T
SP_ESX600_64	Plastic sleeve 9mm
SP_ESX600_65	Bearing 6300 2RS
SP_ESX600_66	Flat washer D30 x D34 x 0.8T
SP_ESX600_67	Bearing 6003 2RS
SP_ESX600_68	The flywheel spindle 3/8-26 x 130L
SP_ESX600_69	Flywheel
SP_ESX600_70	One-way bearing D35 x 17
SP_ESX600_71	Flat washer M5
SP_ESX600_72	Wave washer D17.5 x D22 x 0.3T
SP_ESX600_73	Small pulley with groove D34 x J8
SP_ESX600_74	Bearing 6000 2RS
SP_ESX600_75	Positive ovality adjust foot pad 40 x80
SP_ESX600_76	Rear stabilizer
SP_ESX600_77	Pressure wheel attached
SP_ESX600_78	Wave washer D10.2 x D13 x 0.3T
SP_ESX600_79	Pressure with rod
SP_ESX600_80	Hex agonal screw M8 x P1.25 x 20L x S14.5L
SP_ESX600_81	Flat washer D8 x D22 x 1T
SP_ESX600_82	Pressure with spring
SP_ESX600_83	Frame
SP_ESX600_84	LED holder
SP_ESX600_85	LED light strip,with 3M glue
SP_ESX600_86	Light strip connection cable
SP_ESX600_87	Light strip board
SP_ESX600_88	The LED shell
SP_ESX600_89	Circlip for hole D40
SP_ESX600_90	Bearing 6203 2RS
SP_ESX600_91	Circle core
SP_ESX600_92	Nylon nut M6 x 5.5T
SP_ESX600_93	Spring washer D6
SP_ESX600_94	Plastic belt tray D260
SP_ESX600_95	Axle
SP_ESX600_96	Hex agonal screw M6 x P1.0 x 16L
SP_ESX600_97	More groove belt 430J6
SP_ESX600_98	Long shell pull rod
SP_ESX600_99	Short shell pull rod
SP_ESX600_100	Umbrella head cross tapping screw ST3.9 x 16L
SP_ESX600_101	DC wire
SP_ESX600_102	Hexagon wrench
SP_ESX600_103	The harpoon wrench
SP_ESX600_104	Socket wrench
SP_ESX600_105	Adaptor
SP_ESX600_106	Water bottler holder
SP_ESX600_107	Umbrella head cross screw M5 x 16L
SP_ESX600_108	Handlebar set
SP_ESX600_109	Flywheel set
SP_ESX600_110	LED strip set
SP_ESX600_111	Connecting cable
SP_ESX600_112	Screw M5 x 12
SP_ESX600_Carton	Carton for ESX600 1120 x 285 x 660
SP_ESX600_Manual	Manual
SP_ESX600_Screw Set	Screw and tool set