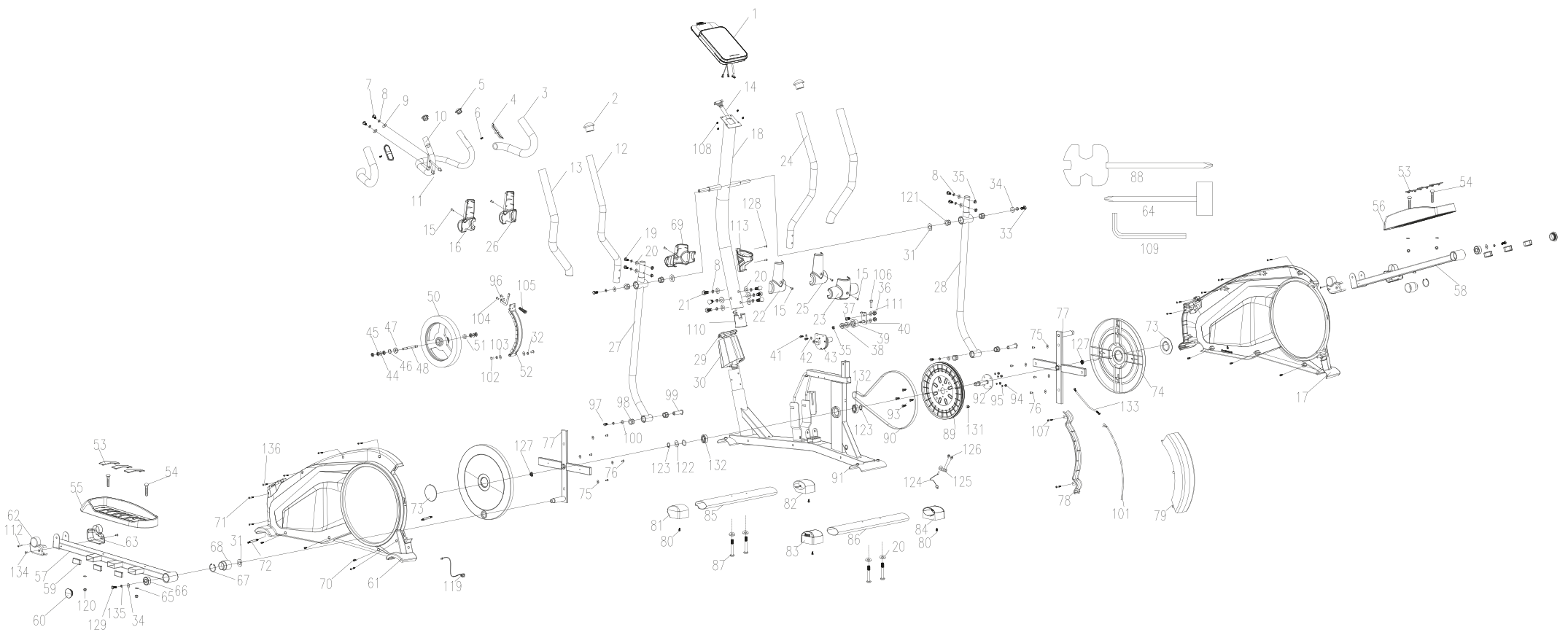


EXPLOSION-DRAWING / SPAREPARTS-OVERVIEW

EXPLOSIONSZEICHNUNG / ERSATZTEILLISTE



SPORTSTECH CROSSTRAINER CX700

Item No	Description
SP_CX700_01	Console
SP_CX700_02	Mushroom head tube plug
SP_CX700_03	Handlebar foam
SP_CX700_04	Holding device
SP_CX700_05	Mushroom head tube plug
SP_CX700_06	Shot head cross tapping screw ST3.9 x 20L
SP_CX700_07	Umbrella head hexagon socket screw M8 x P1.25 x 25L
SP_CX700_08	Spring washer D8.1 x 2.5T
SP_CX700_09	Flat washer M8 x P1.25 x 25
SP_CX700_10	Front handrail
SP_CX700_11	Holding pulse wire
SP_CX700_12	Upper handrail left
SP_CX700_13	Handlebar foam
SP_CX700_14	Cable wire segment
SP_CX700_15	Ball head cross screw M5 x 12L
SP_CX700_16	Upper handrail cover left front
SP_CX700_17	Shell lower cover
SP_CX700_18	Handrail stand pipe
SP_CX700_19	Umbrella head hexagon socket screw M8 x P1.25 x 38L x 515L
SP_CX700_20	Semicircle washers D8 x D19 x 2T
SP_CX700_21	Hex screw M8 x P1.25 x 20L
SP_CX700_22	Upper handrail cover left back
SP_CX700_23	Handrail cover back
SP_CX700_24	Upper handrail right
SP_CX700_25	Upper handrail cover right back
SP_CX700_26	Upper handrail cover right front
SP_CX700_27	Below handrail left
SP_CX700_28	Below handrail right
SP_CX700_29	Upper handrail cover
SP_CX700_30	Below handrail cover
SP_CX700_31	Wave washer D17.5 x D25 x 0.3T
SP_CX700_32	Spring washer D6.1 x 1.6T
SP_CX700_33	Hex fastener screw M8 x P1.25 x 20L
SP_CX700_34	Flat washer D8 x D22 x 2T
SP_CX700_35	Nylon nuts M8 x P1.25 x 7T
SP_CX700_36	Nylon nuts M10 x 8T
SP_CX700_37	Umbrella head hexagon socket screw M10 x 20L
SP_CX700_38	Bearing
SP_CX700_39	Pressure wheel attached
SP_CX700_40	Pressure attached sheet
SP_CX700_41	Hex screw M5x12L
SP_CX700_42	Flat washer D5.5 x 12 x 2T
SP_CX700_43	Gear box assembly
SP_CX700_44	Serrated lock washers external teeth D10 x D17 x 1T
SP_CX700_45	Hex nut 26 x 3.8T
SP_CX700_46	Circlip for shaft D10
SP_CX700_47	Bearing
SP_CX700_48	Flywheel axle
SP_CX700_50	Two way flywheel
SP_CX700_51	Bearing
SP_CX700_52	Magnetic control group
SP_CX700_53	Pedal cushion
SP_CX700_54	Carriage bolts
SP_CX700_55	Pedal left
SP_CX700_56	Pedal right
SP_CX700_57	Pedal tube left
SP_CX700_58	Pedal tube right
SP_CX700_59	Flat pipe 20x50
SP_CX700_60	Tread tube plug D48
SP_CX700_61	Shell upper cover
SP_CX700_62	Pedal front cover left
SP_CX700_63	Pedal front cover right
SP_CX700_64	Bow wrench
SP_CX700_65	Flat washer D8 x D16 x 2T
SP_CX700_66	Universal bearing
SP_CX700_67	C shape buckle(circlip for hole)
SP_CX700_68	Tread tube plug
SP_CX700_69	Handrail cover front

Item No	Description
SP_CX700_70	Umbrella head cross tapping screw ST4.8 x 20L
SP_CX700_71	Pen head cross tapping screw ST3.9 x 50L
SP_CX700_72	Shell bar
SP_CX700_73	Rotary table decoration cover
SP_CX700_74	Rotary table
SP_CX700_75	Flat washer D4.5 x D16 x 1.5T
SP_CX700_76	Umbrella head cross tapping cutting screw ST3.9 x 12L
SP_CX700_77	Cross
SP_CX700_78	LED holder
SP_CX700_79	Shell back cover
SP_CX700_80	Umbrella head cross tapping screw ST3.9 x 16L
SP_CX700_81	Positive oval front foot pad left 40x80
SP_CX700_82	Positive oval front foot pad right 40x80
SP_CX700_83	Positive oval adjust foot pad left 40x80
SP_CX700_84	Positive oval adjust foot pad right 40x80
SP_CX700_85	Forefoot tube baking paint
SP_CX700_86	Rear foot tube baking paint
SP_CX700_87	Umbrella head hexagon socket screw M8 x P1.25 x 56L
SP_CX700_88	Harpoon wrench
SP_CX700_89	Plastic pulley D289
SP_CX700_90	More groove belt
SP_CX700_91	Frame welding
SP_CX700_92	Axle
SP_CX700_93	Hex screw M6 x P1.0 x 14L
SP_CX700_94	Nylon nut
SP_CX700_95	Spring washer D6.1 x 1.6T
SP_CX700_96	Lever gear box bracket
SP_CX700_97	Umbrella head inner hexagon fastener screw M8 x P.125 x 16L
SP_CX700_98	Lower handrail sleeve
SP_CX700_99	Lower handrail connecting screw D16 x 63L
SP_CX700_100	Flat washer D8 x D19 x 2T
SP_CX700_101	LED assemble
SP_CX700_102	Hex screw M8 x P1.0 x 16L
SP_CX700_103	Flat washer D6 x D13 x 1T
SP_CX700_104	Umbrella head cross screw M5 x 10L
SP_CX700_105	Spring
SP_CX700_106	Hex screw M8 x P1.25 x 25L
SP_CX700_107	Umbrella head cross tapping screw ST3.9 x 16L
SP_CX700_108	Ball head cross screw M5 x 12L
SP_CX700_109	Hex wrench
SP_CX700_111	Flat washer D10 x D18 x 1T
SP_CX700_112	Short head cross tapping screw ST2.9 x 20L
SP_CX700_113	SPM water bottler
SP_CX700_114	Handlebar set
SP_CX700_115	Handrail set left
SP_CX700_116	Handrail set right
SP_CX700_117	Flywheel set
SP_CX700_118	Adapter
SP_CX700_119	Power cable 850L
SP_CX700_120	Nut M8 x P1.25 x 7T
SP_CX700_121	Bushing
SP_CX700_122	Washer D20.3 x D30 x 0.5T
SP_CX700_123	C clip D18.5 x D22.5 x 1T
SP_CX700_124	Sensor with cable
SP_CX700_125	Sensor holder
SP_CX700_126	Screw M5 x P0.8 x 12L
SP_CX700_127	Nut M10 x P1.25 x 10T, 14
SP_CX700_128	Screw M5 x P0.8 x 12L
SP_CX700_129	Screw M8 x P1.25 x 20L, 13
SP_CX700_131	Magnet
SP_CX700_132	Bearing 6004 RS
SP_CX700_133	Connecting cable 250L
SP_CX700_134	Screw M5 x P0.8 x 12L
SP_CX700_135	Washer D8.1 x 14.5 x 2.4T
SP_CX700_136	Screw ST3.9 x 30L
SP_CX700_Carton	Carton for CX700 1230 x 380 x 660
SP_CX700_Manual	Manual
SP_CX700_Screw set	Screw set