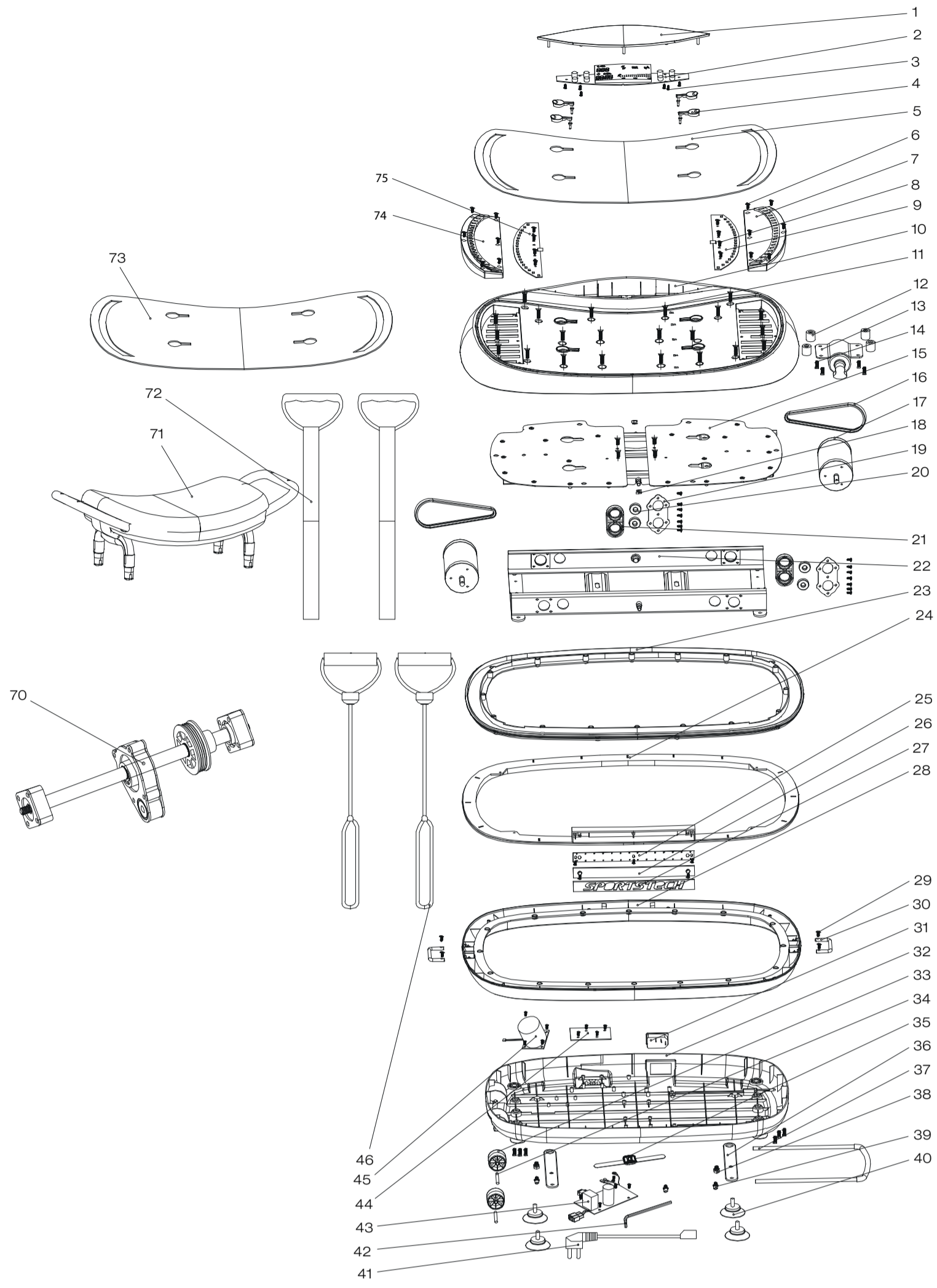


EXPLOSION-DRAWING / SPAREPARTS-OVERVIEW

EXPLOSIONSZEICHNUNG / ERSATZTEILLISTE



SPORTSTECH VIBRATION PLATE VP500

NO	Item number	Description
1	SP_VP500_01	Console panel
2	SP_VP500_02	Console board
3	SP_VP500_03	Philip screw ST3×8
4	SP_VP500_04	Surface cap
5	SP_VP500_05	Foot pedal cover
6	SP_VP500_06	Philip screw ST4×16
7	SP_VP500_07	Right light cover
8	SP_VP500_08	Philip screw ST4×12
9	SP_VP500_09	Right light board
10	SP_VP500_10	Upper cover
11	SP_VP500_11	Screw M5×20
12	SP_VP500_12	Rubber cushion
13	SP_VP500_13	Vibration motor with eccentric block
14	SP_VP500_14	Outer hexagon bolt M5×14
15	SP_VP500_15	Main plate
16	SP_VP500_16	Belt
17	SP_VP500_17	Oscillation motor
18	SP_VP500_18	Nylon nut M8
19	SP_VP500_19	Linear sleeve
20	SP_VP500_20	Bearing 6000RZ
21	SP_VP500_21	Sleeve
22	SP_VP500_22	Main frame
23	SP_VP500_23	Lamp ring
24	SP_VP500_24	Lamp ring cover
25	SP_VP500_25	Logo board
26	SP_VP500_26	Logo plate
27	SP_VP500_27	Logo sheet
28	SP_VP500_28	Middle cover
29	SP_VP500_29	Philip screw ST4×20
30	SP_VP500_30	Pull ring
31	SP_VP500_31	Power socket
32	SP_VP500_32	Bottom cover
33	SP_VP500_33	Transportion wheel
34	SP_VP500_34	Axle for transportion wheel
35	SP_VP500_35	Remote control
36	SP_VP500_36	Pull hook
37	SP_VP500_37	Handle
38	SP_VP500_38	Outer hexagon bolt M6×10
39	SP_VP500_39	Inner hexagon bolt M6×10

NO	Item number	Description
40	SP_VP500_40	Foot cushion
41	SP_VP500_41	Power cord
42	SP_VP500_42	No 5 hexagon spanner
43	SP_VP500_43	Lower controller board
44	SP_VP500_44	Bluetooth board
45	SP_VP500_45	Speaker
46	SP_VP500_46	Rope
47	SP_VP500_47	Nylon nut M8
48	SP_VP500_48	Flat washer 10×22×1.5
49	SP_VP500_49	Bearing 6201
50	SP_VP500_50	Main axle bracket
51	SP_VP500_51	Axle of link block
52	SP_VP500_52	Flywheel
53	SP_VP500_53	Nylon nut M5
54	SP_VP500_54	Main axle
55	SP_VP500_55	Sleeve
56	SP_VP500_56	Bearing 6006
57	SP_VP500_57	Bearing 6801
58	SP_VP 500_58	Link block of main plate and main axle
59	SP_VP500_59	Eccentric block
60	SP_VP500_60	Bracket for bearing
61	SP_VP500_61	Outer hexagon bolt M5×30
62	SP_VP500_62	Cover of axle bracket
63	SP_VP500_63	Outer hexagon bolt M8×20
64	SP_VP500_64	Spring washer D8
65	SP_VP500_65	Bearing 6201 sleeve
66	SP_VP500_66	Outer hexagon bolt M5×25
67	SP_VP500_67	Screw M5×25
68	SP_VP500_68	Bushing
69	SP_VP500_69	Bearing 6008 sleeve
70	SP_VP500_70	Main axle set
71	SP_VP500_71	Seat cushion
72	SP_VP500_72	Fitness band
73	SP_VP500_73	Board
74	SP_VP500_74	Left light cover
75	SP_VP500_75	Left light board
not in drawing	SP_VP500_Carton	Carton
not in drawing	SP_VP500_Manual	Manual

DE

- Identifizieren Sie mit Zeichnung und Liste das benötigte Ersatzteil und notieren Sie sich die Nummer.
- Kontaktieren Sie unseren Kundendienst per e-Mail oder Telefon und nennen Sie die Nummer des Ersatzteils. Die Kontaktdaten finden Sie auf der Rückseite des Manuals oder auf unserer Website.
- Klären Sie alle weiteren Schritte mit unseren Mitarbeitern.

FR

- Identifiez la pièce de rechange nécessaire à l'aide du dessin et de la liste et notez le numéro.
- Contactez notre service clientèle par e-Mail ou par téléphone et indiquez le numéro de la pièce de rechange. Vous trouverez les coordonnées au dos du manuel ou sur notre site web.
- Clarifiez toutes les autres étapes avec nos agents.

EN

- Identify the required spare part with the drawing and list and write down the number.
- Contact our customer service by e-Mail or telephone and state the number of the spare part. You will find the Contact details on the back of the manual or on our Website.
- Clarify all further steps with our staff.

IT

- Identificare il pezzo di ricambio richiesto con il disegno e l'elenco e annotare il numero.
- Contattare il nostro servizio clienti via e-mail o per telefono, indicando il numero del pezzo di ricambio. I dati di contatto sono riportati sul retro del manuale o sul nostro sito web.
- Chiarite tutte le fasi successive con il nostro personale.

ES

- Identifique la pieza de recambio necesaria con el dibujo y la lista y anote el número.
- Póngase en contacto con nuestro servicio de atención al cliente por correo electrónico o por teléfono e indique el número de la pieza de recambio. Encontrará los datos de contacto en el reverso del manual o en nuestra página web.
- Aclare todos los pasos posteriores con nuestro personal.

NL

- Identificeer het benodigde reserveonderdeel aan de hand van de tekening en de lijst en noteer het Nummer.
- Neem Contact op met onze klantenservice via e-Mail of telefoon en vermeld het Nummer van het reserveonderdeel. U vindt de contactgegevens op de achterkant van de handleiding of op onze Website.
- Verduidelijk alle verdere stappen met ons personeel.