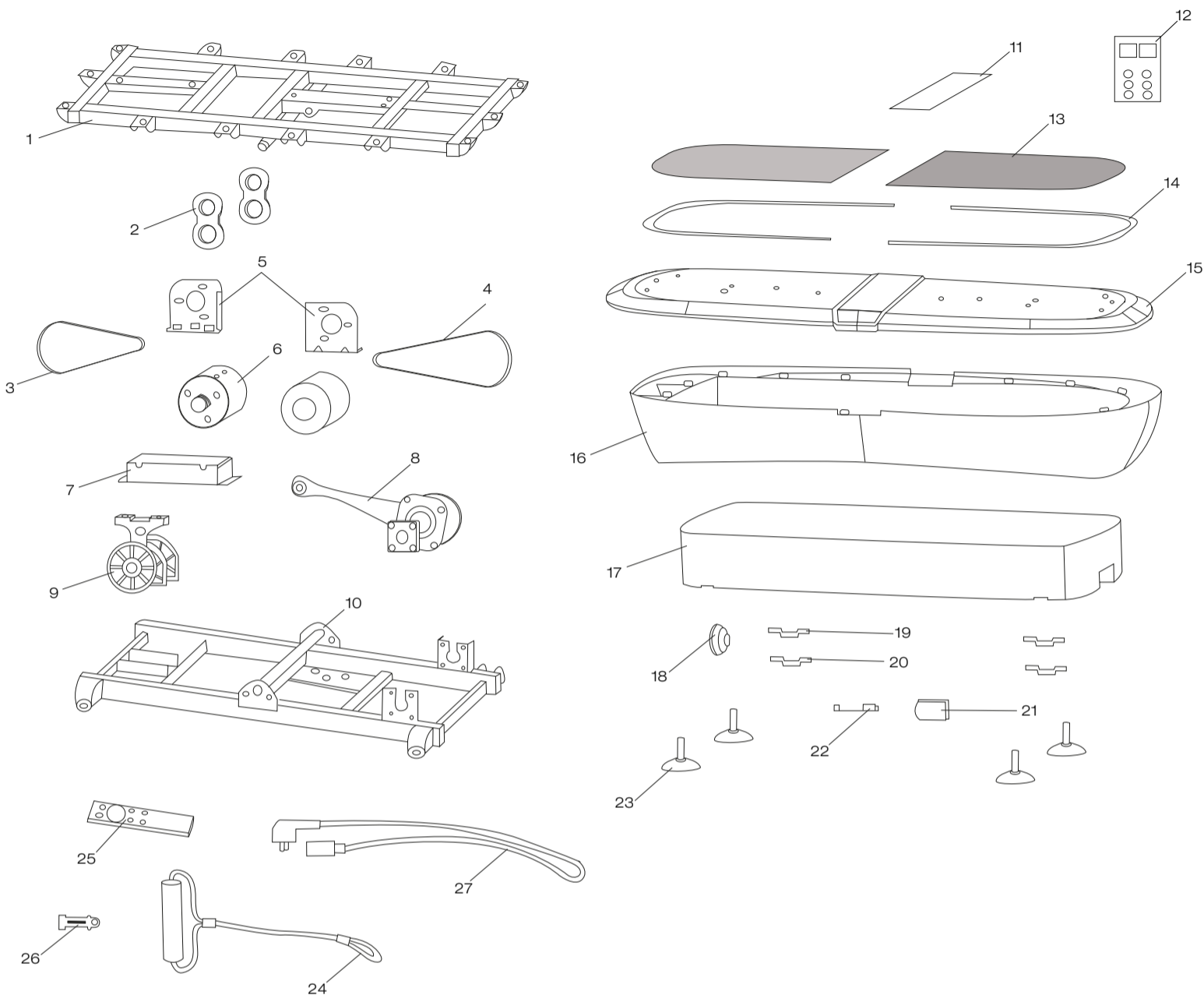


EXPLOSION-DRAWING / SPAREPARTS-OVERVIEW

EXPLOSIONSZEICHNUNG / ERSATZTEILLISTE



SPORTSTECH

VIBRATIONSPLATTE VP300

VIBRATION PLATE VP300

Number in explosion drawing	Item number	Description
1	SP_VP300_01	Metal plate
2	SP_VP300_02	Connecting rod
3	SP_VP300_03	Belt 150J
4	SP_VP300_04	Belt 190J
5	SP_VP300_05	Motor support
6	SP_VP300_06	Motor
7	SP_VP300_07	PCB controller
8	SP_VP300_08	Shaft 1
9	SP_VP300_09	Shaft 2
10	SP_VP300_10	Bottom plate
11	SP_VP300_11	Decorative acrylic
12	SP_VP300_12	Display
13	SP_VP300_13	Rubber footplate
14	SP_VP300_14	Decorative piece
15	SP_VP300_15	Top plastic cover
16	SP_VP300_16	Middle plastic cover
17	SP_VP300_17	Bottom plastic cover

Number in explosion drawing	Item number	Description
18	SP_VP300_18	Speaker
19	SP_VP300_19	Plastic fixation
20	SP_VP300_20	Metal fixation
21	SP_VP300_21	Switch
22	SP_VP300_22	Small circuit board
23	SP_VP300_23	Rubber feet
24	SP_VP300_24	Exercise band
25	SP_VP300_25	Remote Control
26	SP_VP300_26	Holder
27	SP_VP300_27	Power cable
not in drawing	SP_VP300_28	Glue
not in drawing	SP_VP300_29	Antenna
not in drawing	SP_VP300_30	Socket
not in drawing	SP_VP300_31	Wheel set
not in drawing	SP_VP300_Carton	Carton
not in drawing	SP_VP300_Styrofoam	Styrofoam
not in drawing	SP_VP300_Manual	Manual