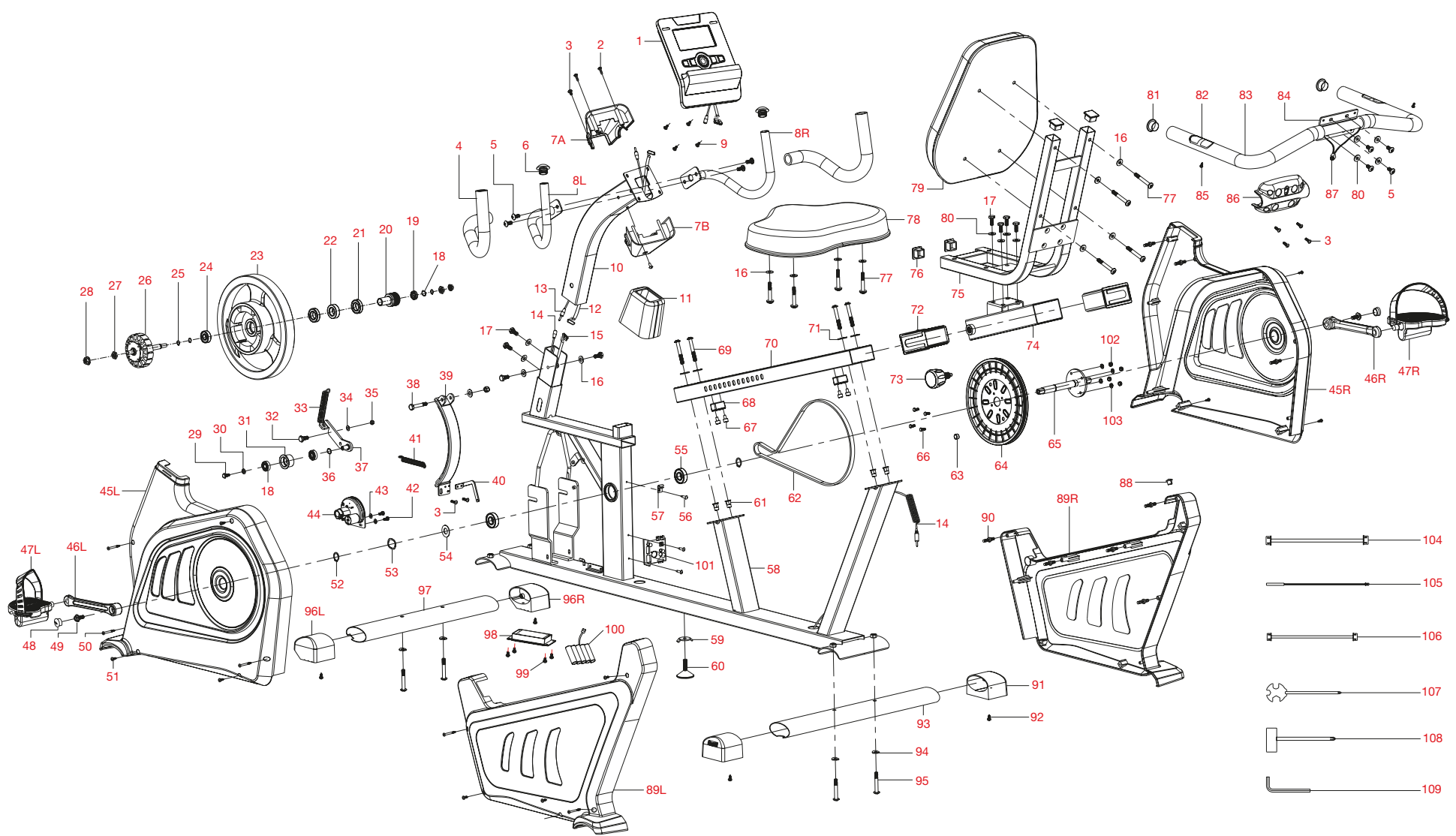


# EXPLOSION-DRAWING / SPAREPARTS-OVERVIEW

## EXPLOSIONSZEICHNUNG / ERSATZTEILLISTE



**SPORTSTECH**

**ERGOMETER ES600**

Number in explosion drawing	Item number	Description
1	SP_ES600_01	Computer
2	SP_ES600_02	Screw
3	SP_ES600_03	Screw
4	SP_ES600_04	Foam grip
5	SP_ES600_05	Screw
6	SP_ES600_06	End cap
7	SP_ES600_07A	Computer tray A
7	SP_ES600_07B	Computer tray B
8	SP_ES600_08L	Left front handlebar
8	SP_ES600_08R	Right front handlebar
9	SP_ES600_09	Screw
10	SP_ES600_10	Handlebar post
11	SP_ES600_11	Small cover
12	SP_ES600_12	Upper cable
13	SP_ES600_13	Pulse cable
14	SP_ES600_14	Handle pulse wire
15	SP_ES600_15	Sensor cable
16	SP_ES600_16	Flat washer
17	SP_ES600_17	Screw
18	SP_ES600_18	Wavy washer
19	SP_ES600_19	Bearing
20	SP_ES600_20	Small pulley
21	SP_ES600_21	Bearing
22	SP_ES600_22	One way bearing
23	SP_ES600_23	Flywheel
24	SP_ES600_24	Bearing
25	SP_ES600_25	C-shape clip
26	SP_ES600_26	Electrical generating spindle
27	SP_ES600_27	Hex nut
28	SP_ES600_28	Nut for flywheel
29	SP_ES600_29	Screw
30	SP_ES600_30	Flat washer
31	SP_ES600_31	Idler wheel
32	SP_ES600_32	Screw
33	SP_ES600_33	Idler spring
34	SP_ES600_34	Plastic washer
35	SP_ES600_35	Nylon nut
36	SP_ES600_36	Wavy washer
37	SP_ES600_37	Idler holder
38	SP_ES600_38	Screw
39	SP_ES600_39	Magnetic set
40	SP_ES600_40	Lever support
41	SP_ES600_41	Spring
42	SP_ES600_42	Screw
43	SP_ES600_43	Flat washer
44	SP_ES600_44	Motor
45	SP_ES600_45L	Left chain cover
45	SP_ES600_45R	Right chain cover
46	SP_ES600_46L	Left crank arm
46	SP_ES600_46R	Right crank arm
47	SP_ES600_47L	Left pedal
47	SP_ES600_47R	Right pedal
48	SP_ES600_48	Crank Cover with pedal
49	SP_ES600_49	Screw
50	SP_ES600_50	Screw
51	SP_ES600_51	Screw
52	SP_ES600_52	C-shape clip
53	SP_ES600_53	Wavy washer
54	SP_ES600_54	Flat washer
55	SP_ES600_55	Bearing
56	SP_ES600_56	Screw

Number in explosion drawing	Item number	Description
57	SP_ES600_57	Sensor holder
58	SP_ES600_58	Main frame
59	SP_ES600_59	Locking pad
60	SP_ES600_60	Lever adjuster
61	SP_ES600_61	Screw bracket
62	SP_ES600_62	Belt
63	SP_ES600_63	Magnetic core
64	SP_ES600_64	Belt pulley
65	SP_ES600_65	Crank axis
66	SP_ES600_66	Screw
67	SP_ES600_67	Screw
68	SP_ES600_68	Crash pad
69	SP_ES600_69	Screw
70	SP_ES600_70	Slide tube
71	SP_ES600_71	Flat washer
72	SP_ES600_72	Sleeve for slide tube
73	SP_ES600_73	Knob for seat post
74	SP_ES600_74	Seat supporter
75	SP_ES600_75	Seat back supporter
76	SP_ES600_76	Inner end cap
77	SP_ES600_77	Screw
78	SP_ES600_78	Saddle
79	SP_ES600_79	Seat back
80	SP_ES600_80	Flat washer
81	SP_ES600_81	End cap
82	SP_ES600_82	Handle pulse
83	SP_ES600_83	Foam grip
84	SP_ES600_84	Seat handlebar
85	SP_ES600_85	Screw
86	SP_ES600_86	Handlebar cover
87	SP_ES600_87	Lower pulse cable
88	SP_ES600_88	End cap
89	SP_ES600_89L	Left rear decoration cover
89	SP_ES600_89R	Right rear decoration cover
90	SP_ES600_90	Pull bar
91	SP_ES600_91	End cap for rear stabilizer
92	SP_ES600_92	Screw
93	SP_ES600_93	Rear stabilizer
94	SP_ES600_94	Semicircle washer
95	SP_ES600_95	Screw
96L	SP_ES600_96L	Left cap for front stabilizer
96R	SP_ES600_96R	Right cap for front stabilizer
97	SP_ES600_97	Front stabilizer
98	SP_ES600_98	Battery box
99	SP_ES600_99	Screw
100	SP_ES600_100	Battery
101	SP_ES600_101	MCB
102	SP_ES600_102	Nylon nut
103	SP_ES600_103	Nylon nut
104	SP_ES600_104	Spring washer
105	SP_ES600_105	Battery cable
106	SP_ES600_106	Sensor wire
107	SP_ES600_107	Connecting wire - motor & MCB
108	SP_ES600_108	Harpoon wrench
109	SP_ES600_109	Wrench
not in drawing	SP_ES600_110	Hex wrench
not in drawing	SP_ES600_111	Sticker
not in drawing	SP_ES600_Carton	Carton
not in drawing	SP_ES600_Screw set	Screw and tool set
not in drawing	SP_ES600_Manual	Manual