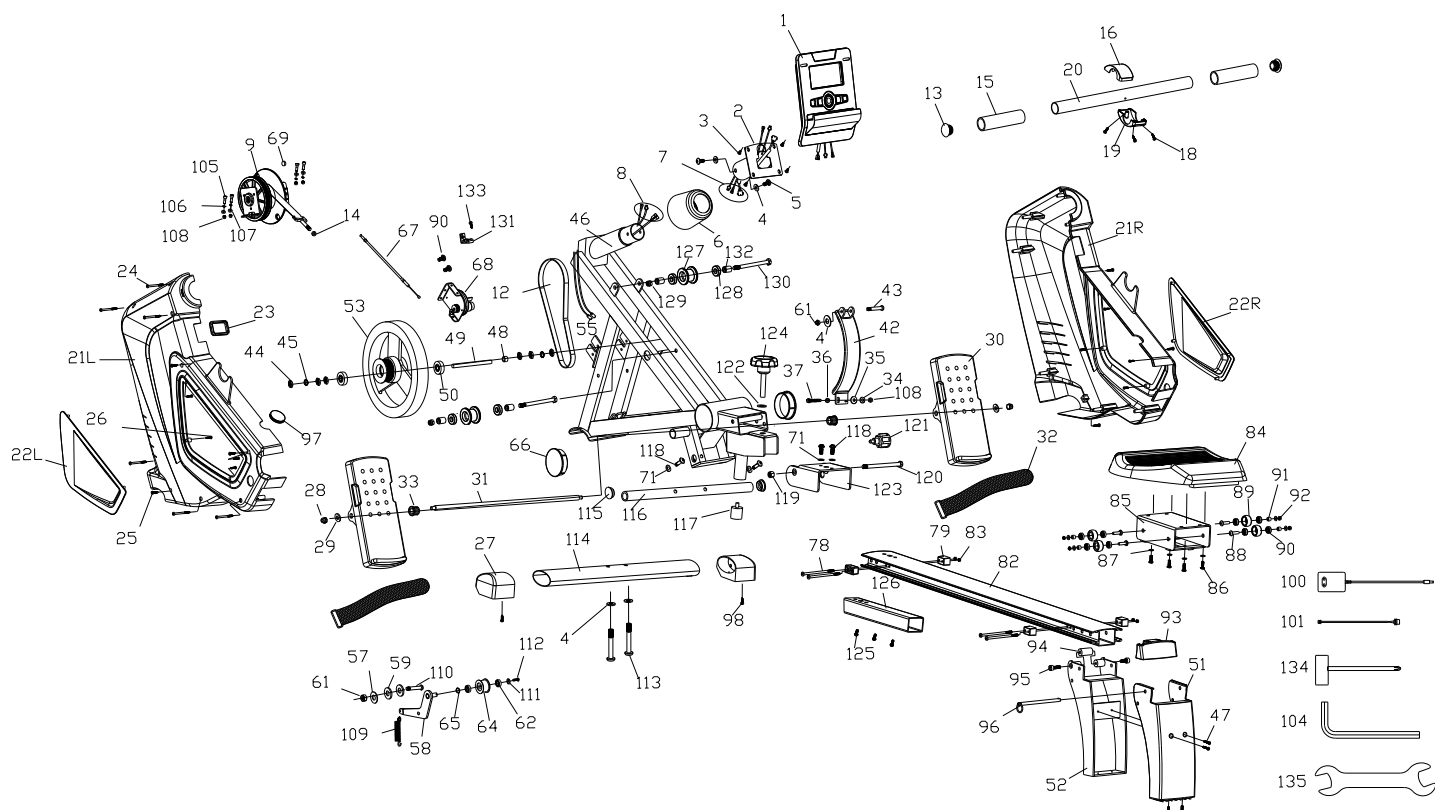


EXPLOSION-DRAWING / SPAREPARTS-OVERVIEW

EXPLOSIONSZEICHNUNG / ERSATZTEILLISTE



SPORTSTECH

ROWING MACHINE RSX500

RUDERGERÄT RSX500

Number in explosion drawing	Item number	Description
01	SP_RSX500_01	Console
02	SP_RSX500_02	Console holding post
03	SP_RSX500_03	Screw
04	SP_RSX500_04	Curved washer
05	SP_RSX500_05	Screw
06	SP_RSX500_06	Cover for console holding
07	SP_RSX500_07	Computer cable
08	SP_RSX500_08	Cable lower
09	SP_RSX500_09	Spring box
12	SP_RSX500_12	Belt
13	SP_RSX500_13	End cap
14	SP_RSX500_14	Nylon nut
15	SP_RSX500_15	Handgrip
16	SP_RSX500_16	Upper cover of handlebar
18	SP_RSX500_18	Screw
19	SP_RSX500_19	Lower cover of handlebar console
20	SP_RSX500_20	Handlebar
21	SP_RSX500_21L	Left chain cover
21	SP_RSX500_21R	Right chain cover
22	SP_RSX500_22L	Left decorative cover
22	SP_RSX500_22R	Right decorative cover
23	SP_RSX500_23	Small cover
24	SP_RSX500_24	Screw
25	SP_RSX500_25	Screw
26	SP_RSX500_26	Screw
27	SP_RSX500_27L	Left front stabilizer cap
27	SP_RSX500_27R	Right front stabilizer cap
28	SP_RSX500_28	Cap nuts
29	SP_RSX500_29	Flat washer
30	SP_RSX500_30	Pedal
31	SP_RSX500_31	Spindle for pedal
32	SP_RSX500_32	Pedal strap
33	SP_RSX500_33	D25.4 bush
34	SP_RSX500_34	Flat washer
35	SP_RSX500_35	Nylon washer
36	SP_RSX500_36	Hexagon nut
37	SP_RSX500_37	Bolts
42	SP_RSX500_42	Magnetic Set
43	SP_RSX500_43	Bolts
44	SP_RSX500_44	Nut
45	SP_RSX500_45	Star washer
46	SP_RSX500_46	Main frame
47	SP_RSX500_47	Screw
48	SP_RSX500_48	Bushing
49	SP_RSX500_49	Flywheel axle
50	SP_RSX500_50	Bearing
51	SP_RSX500_51	Cover for rear supporter
52	SP_RSX500_52	Rear supporter
53	SP_RSX500_53	Flywheel
55	SP_RSX500_55	Sensor
57	SP_RSX500_57	Flat washer
58	SP_RSX500_58	Adler press welding
59	SP_RSX500_59	Flat washer
61	SP_RSX500_61	Nylon nut
62	SP_RSX500_62	Bearing
64	SP_RSX500_64	Idle wheel
65	SP_RSX500_65	Wavy washer
66	SP_RSX500_66	End cap
67	SP_RSX500_67	Tension controller
68	SP_RSX500_68	Motor
69	SP_RSX500_69	M51 magnets
71	SP_RSX500_71	Washer

Number in explosion drawing	Item number	Description
78	SP_RSX500_78	Bolts
79	SP_RSX500_79	Seat slider absorber
82	SP_RSX500_82	AL sliding rail
83	SP_RSX500_83	Hexagon nuts
84	SP_RSX500_84	Saddle
85	SP_RSX500_85	Saddle supporter
86	SP_RSX500_86	Screw
87	SP_RSX500_87	Flat washer
88	SP_RSX500_88	Bolt
89	SP_RSX500_89	Seat wheel
90	SP_RSX500_90	Bearing
91	SP_RSX500_91	Bushing
92	SP_RSX500_92	Nylon nut
93	SP_RSX500_93	Rear cover for sliding rail
94	SP_RSX500_94	Axle of rear supporter
95	SP_RSX500_95	Bolt
96	SP_RSX500_96	Pin
97	SP_RSX500_97	End cap for chain cover
98	SP_RSX500_98	Screw
100	SP_RSX500_100	Adaptor
101	SP_RSX500_101	DC wire
104	SP_RSX500_104	Hex wrench
105	SP_RSX500_105	Screw
106	SP_RSX500_106	Spring washer
107	SP_RSX500_107	Flat washer
108	SP_RSX500_108	Nylon nut
109	SP_RSX500_109	Idler spring
110	SP_RSX500_110	Screw
111	SP_RSX500_111	Flat Washer
112	SP_RSX500_112	Screw
113	SP_RSX500_113	Screw
114	SP_RSX500_114	Front stabilizer
115	SP_RSX500_115	End cap
116	SP_RSX500_116	Pedal axle tube
117	SP_RSX500_117	Rubber cushion for frame
118	SP_RSX500_118	Screw
119	SP_RSX500_119	Nylon nut
120	SP_RSX500_120	Screw
121	SP_RSX500_121	Pull pin
122	SP_RSX500_122	Flat washer
123	SP_RSX500_123	Folding connector
124	SP_RSX500_124	Knob
125	SP_RSX500_125	Screw
126	SP_RSX500_126	AL reinforcement tube
127	SP_RSX500_127	Belt wheel
128	SP_RSX500_128	Bearing
129	SP_RSX500_129	Screw
130	SP_RSX500_130	Nylon nut
131	SP_RSX500_131	Sensor supporter
132	SP_RSX500_132	Wheel sleeve
133	SP_RSX500_133	Screw
134	SP_RSX500_134	Sleeve wrench
135	SP_RSX500_135	Wrench
not in drawing	SP_RSX500_136	Sleeve wrench
not in drawing	SP_RSX500_137	Wrench
not in drawing	SP_RSX500_138	Rail set
not in drawing	SP_RSX500_139	Seat set
not in drawing	SP_RSX500_Sticker_01	Sticker 1
not in drawing	SP_RSX500_Carton	Carton
not in drawing	SP_RSX500_Manual	Manual
not in drawing	SP_RSX500_Screw set	Screw and tool set