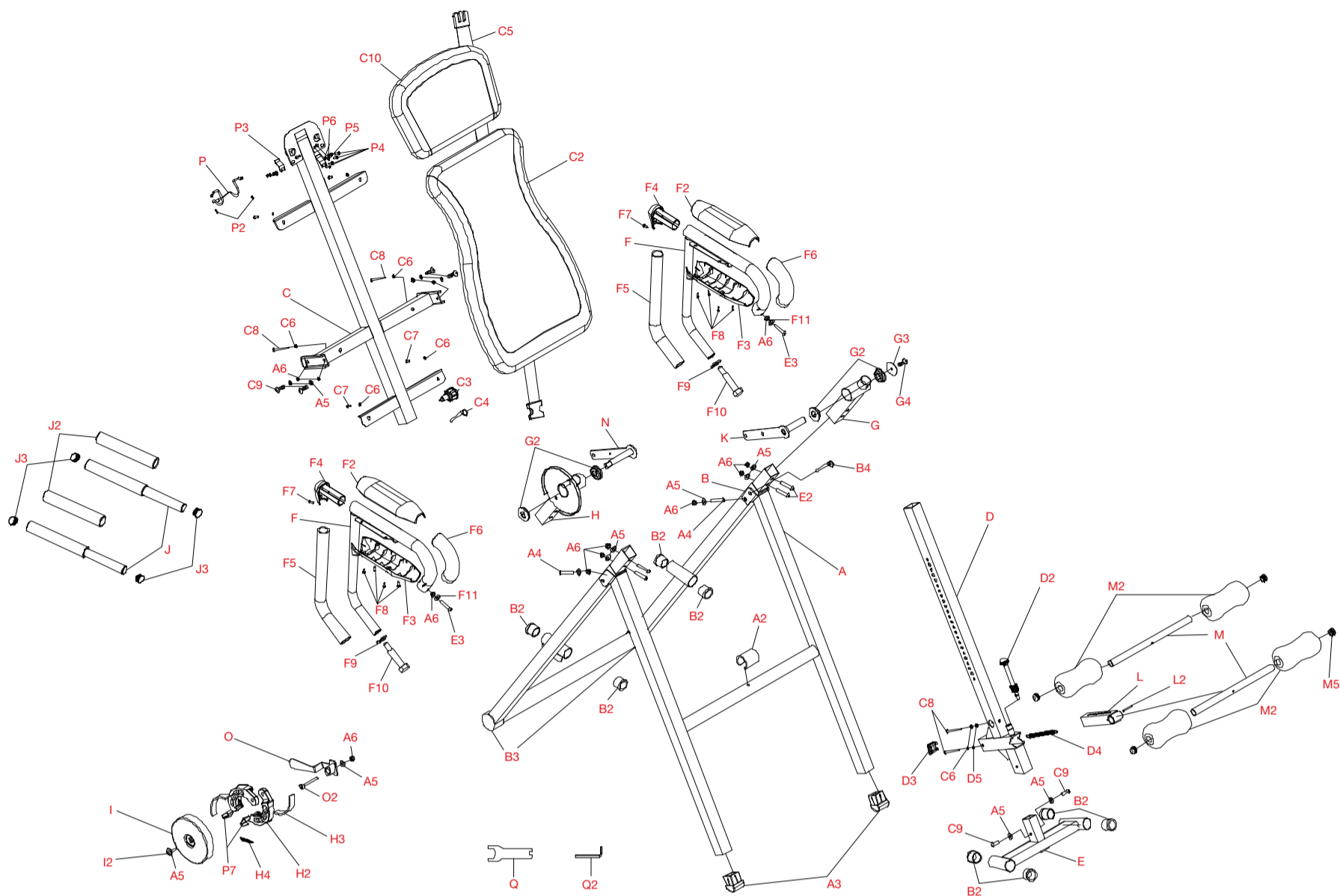


EXPLOSION-DRAWING / SPAREPARTS-OVERVIEW

EXPLOSIONSZEICHNUNG / ERSATZTEILLISTE



SPORTSTECH

INVERSION TABLE IT300
SCHWERKRAFTTRAINER IT300

Number in explosion drawing	Item number	Description
A	SP_IT300_A	Front u-frame
A2	SP_IT300_A2	Arc rubber pad
A3	SP_IT300_A3	Front tube plug
A4	SP_IT300_A4	Hex bolt M8x60
A5	SP_IT300_A5	Flat washer 8.5x20x1.5
A6	SP_IT300_A6	Lock nut M8x8H
B	SP_IT300_B	Rear u-frame
B2	sp_IT300_B2	Bush
B3	sp_IT300_B3	Semicircle foot pad with 50 round tube
B4	sp_IT300_B4	Loop pin 8x72
C	SP_IT300_C	Bed frame
C2	SP_IT300_C2	Bench
C3	SP_IT300_C3	Spring pin M16
C4	SP_IT300_C4	Loop pin 8x62
C5	SP_IT300_C5	Nylon strap
C6	SP_IT300_C6	Flat washer
C7	SP_IT300_C7	Hex bolt M6x12
C8	SP_IT300_C8	Hex bolt M6x50
C9	SP_IT300_C9	Hex bolt M8x20
C10	SP_IT300_C10	Headrest
D	SP_IT300_D	Adjustable boom
D2	SP_IT300_D2	Ball head pin
D3	SP_IT300_D3	Square end cap
D4	SP_IT300_D4	Spring
D5	SP_IT300_D5	Lock nut M6
E	SP_IT300_E	Foot plate
E2	SP_IT300_E2	Hex bolt
E3	SP_IT300_E3	Bolt M8x45
F	SP_IT300_F	Handlebar
F2	SP_IT300_F2	Hand grip cover up
F3	SP_IT300_F3	Hand grip cover down
F4	SP_IT300_F4	Hand grip cover rear
F5	SP_IT300_F5	Foam grip 27x3.0x460
F6	SP_IT300_F6	Foam grip 37x3.0x200
F7	SP_IT300_F7	Phillips screw ST4.2x15
F8	SP_IT300_F8	Phillips screw ST4.2x15
F9	SP_IT300_F9	Flat washer 22x37x3.0
F10	SP_IT300_F10	Hex bolt M20x95

Number in explosion drawing	Item number	Description
F11	SP_IT300_F11	Arc washer
G	SP_IT300_G	Arc pad 8.5
G2	SP_IT300_G2	Left armrest connection
G3	SP_IT300_G3	Bushing 45x12x20
G4	SP_IT300_G4	Bushing
H	SP_IT300_H	Hex bolt M8x20
H2	SP_IT300_H2	Brake fixer
H3	SP_IT300_H3	Brake
H4	SP_IT300_H4	Spring 12x45
I	SP_IT300_I	Brake system
I2	SP_IT300_I2	Hex bolt
J	SP_IT300_J	Hand grip tube
J2	SP_IT300_J2	Foam grip 27x3.0x208
J3	SP_IT300_J3	Round end cap with 28x2.5 round tube 28x2.5
K	SP_IT300_K	Left connect plate
L	SP_IT300_L	Front adjusting tube
L2	SP_IT300_L2	Cylinder opening bolt 4x34
M	SP_IT300_M	Foam tube
M2	SP_IT300_M2	Foam
M5	SP_IT300_M5	Round end cap
N	SP_IT300_N	Right connect plate
O	SP_IT300_O	Wrench
O2	SP_IT300_O2	Cylinder head screw
P	SP_IT300_P	Spring
P2	SP_IT300_P2	Cylinder opening bolt 2.5x10
P3	SP_IT300_P3	Spring pad 2
P4	SP_IT300_P4	Bolt M4x10
P5	SP_IT300_P5	Flat washer 4.5x9x1.5
P6	SP_IT300_P6	Lock nut M4
P7	SP_IT300_P7	Spring pad 2
Q	SP_IT300_Q	Multifunctional wrench
Q2	SP_IT300_Q2	L-shape wrench
not in drawing	SP_IT300_01	Brake set
not in drawing	SP_IT300_Carton_Bottom	Carton bottom
not in drawing	SP_IT300_Carton_Top	Carton top
not in drawing	SP_IT300_Manual	Manual
not in drawing	SP_IT300_Screw set	Screw and tool set