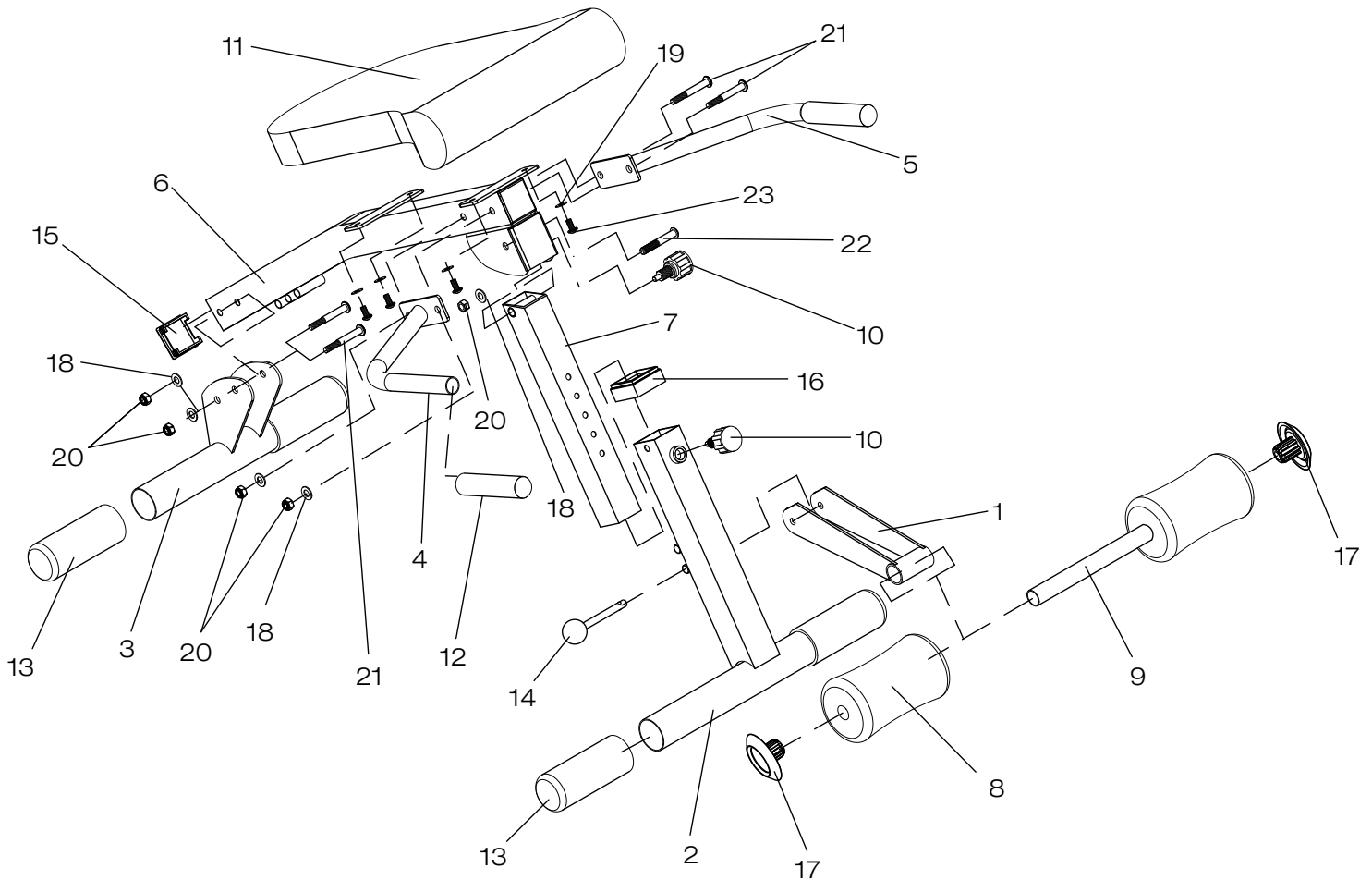


# EXPLOSION-DRAWING / SPAREPARTS-OVERVIEW

## EXPLOSIONSZEICHNUNG / ERSATZTEILLISTE



**SPORTSTECH**

## WEIGHT BENCH BRT200 HANTELBAK BRT200

Number in explosion drawing	Item number	Description
1	SP_BRT200_01	Foot support bracket
2	SP_BRT200_02	Front base tube
3	SP_BRT200_03	Rear base tube
4	SP_BRT200_04	Right handle
5	SP_BRT200_05	Left handle
6	SP_BRT200_06	Seat pad support
7	SP_BRT200_07	Inner adjustable tube
8	SP_BRT200_08	Foam roll
9	SP_BRT200_09	Foam tube
10	SP_BRT200_10	Lock knob
11	SP_BRT200_11	Seat pad
12	SP_BRT200_12	Handle grip
13	SP_BRT200_13	End cap
14	SP_BRT200_14	Lock pin

Number in explosion drawing	Item number	Description
15	SP_BRT200_15	End plug 50x50
16	SP_BRT200_16	Bushing 50x45
17	SP_BRT200_17	End cap D25
18	SP_BRT200_18	Washer D10
19	SP_BRT200_19	Washer D8
20	SP_BRT200_20	Aircraft nut M10
21	SP_BRT200_21	Allen bolt M10x70mm
22	SP_BRT200_22	Allen bolt M10x65mm
23	SP_BRT200_23	Allen bolt M8x15mm
not in drawing	SP_BRT200_24	Footrest set
not in drawing	SP_BRT200_Carton_Bottom	Carton
not in drawing	SP_BRT200_Carton_Top	Carton
not in drawing	SP_BRT200_Manual	Manual
not in drawing	SP_BRT200_Screw set	Screw and tool set