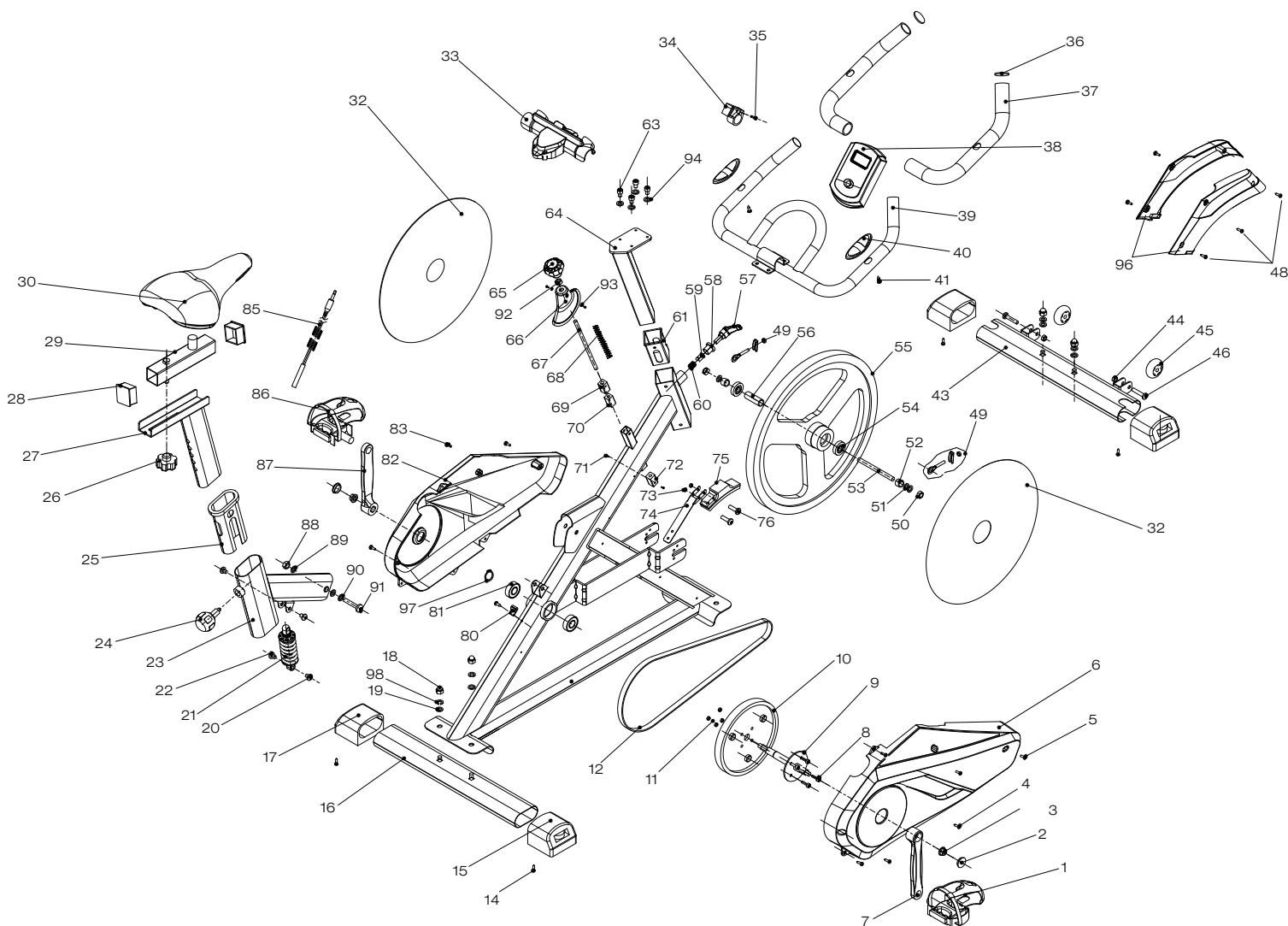


EXPLOSION-DRAWING / SPAREPARTS-OVERVIEW

EXPLOSIONSZEICHNUNG / ERSATZTEILLISTE



SPORTSTECH

SPEEDBIKE SX100

Number in explosion drawing	Item number	Description
1	SP_SX100_01	Right pedal
2	SP_SX100_02	Cap
3	SP_SX100_03	Nut
4	SP_SX100_04	Screw
5	SP_SX100_05	Screw
6	SP_SX100_06	Right plastic cover
7	SP_SX100_07	Right crank
8	SP_SX100_08	Screw
9	SP_SX100_09	Shaft
10	SP_SX100_10	Belt pulley
11	SP_SX100_11	Screw
12	SP_SX100_12	Belt
14	SP_SX100_14	Screw
15	SP_SX100_15	Rubber feet
16	SP_SX100_16	Rear tube
17	SP_SX100_17	Rubber feet
18	SP_SX100_18	Screw
19	SP_SX100_19	Washer
20	SP_SX100_20	Screw
21	SP_SX100_21	Spring
22	SP_SX100_22	Screw
23	SP_SX100_23	Tube
24	SP_SX100_24	Knob
25	SP_SX100_25	Sleeve
26	SP_SX100_26	Knob
27	SP_SX100_27	Seat support
28	SP_SX100_28	Cap
29	SP_SX100_29	Seat tube
30	SP_SX100_30	Saddle
32	SP_SX100_32	Flywheel sticker
33	SP_SX100_33	Handle cover
34	SP_SX100_34	Monitor support
35	SP_SX100_35	Screw
36	SP_SX100_36	Cap
37	SP_SX100_37	Foam
38	SP_SX100_38	Console
39	SP_SX100_39	Handle
40	SP_SX100_40	Pulse sensor
41	SP_SX100_41	Screw
43	SP_SX100_43	Front tube
44	SP_SX100_44	Nut
45	SP_SX100_45	Wheel
46	SP_SX100_46	Screw
48	SP_SX100_48	Screw
49	SP_SX100_49	Metal plate
50	SP_SX100_50	Nut
51	SP_SX100_51	Washer
52	SP_SX100_52	Screw
53	SP_SX100_53	Shaft
54	SP_SX100_54	Bearing

Number in explosion drawing	Item number	Description
55	SP_SX100_55	Flywheel
56	SP_SX100_56	Sleeve
57	SP_SX100_57	Left knob
58	SP_SX100_58	Nut
59	SP_SX100_59	Sleeve
60	SP_SX100_60	Spring
61	SP_SX100_61	Sleeve
63	SP_SX100_63	Screw
64	SP_SX100_64	Handle support
65	SP_SX100_65	Brake knob
66	SP_SX100_66	Brake support
67	SP_SX100_67	Sleeve
68	SP_SX100_68	Spring
69	SP_SX100_69	Cap
70	SP_SX100_70	Cap
71	SP_SX100_71	Screw
72	SP_SX100_72	Cap
73	SP_SX100_73	Screw
74	SP_SX100_74	Felt support
75	SP_SX100_75	Felt
76	SP_SX100_76	Screw
80	SP_SX100_80	Sensor
81	SP_SX100_81	Bearing
82	SP_SX100_82	Left plastic cover
83	SP_SX100_83	Screw
84	SP_SX100_84	Screw
85	SP_SX100_85	Cable
86	SP_SX100_86	Left pedal
87	SP_SX100_87	Left crank
88	SP_SX100_88	Nut
89	SP_SX100_89	Washer
90	SP_SX100_90	Washer
91	SP_SX100_91	Screw
92	SP_SX100_92	Screw
93	SP_SX100_93	Screw
94	SP_SX100_94	Wahser
96	SP_SX100_96L	Left fender
96	SP_SX100_96R	Right fender
97	SP_SX100_97	Wahser
98	SP_SX100_98	Wahser
not in drawing	SP_SX100_99	Arm support
not in drawing	SP_SX100_100	Brake set
not in drawing	SP_SX100_101	Handlebar set
not in drawing	SP_SX100_103	Mobile phone holder
not in drawing	SP_SX100_104	Handlebar set size 2
not in drawing	SP_SX100_Carton	Carton
not in drawing	SP_SX100_Manual	Manual
not in drawing	SP_SX100_Screw set	Screw and tool set