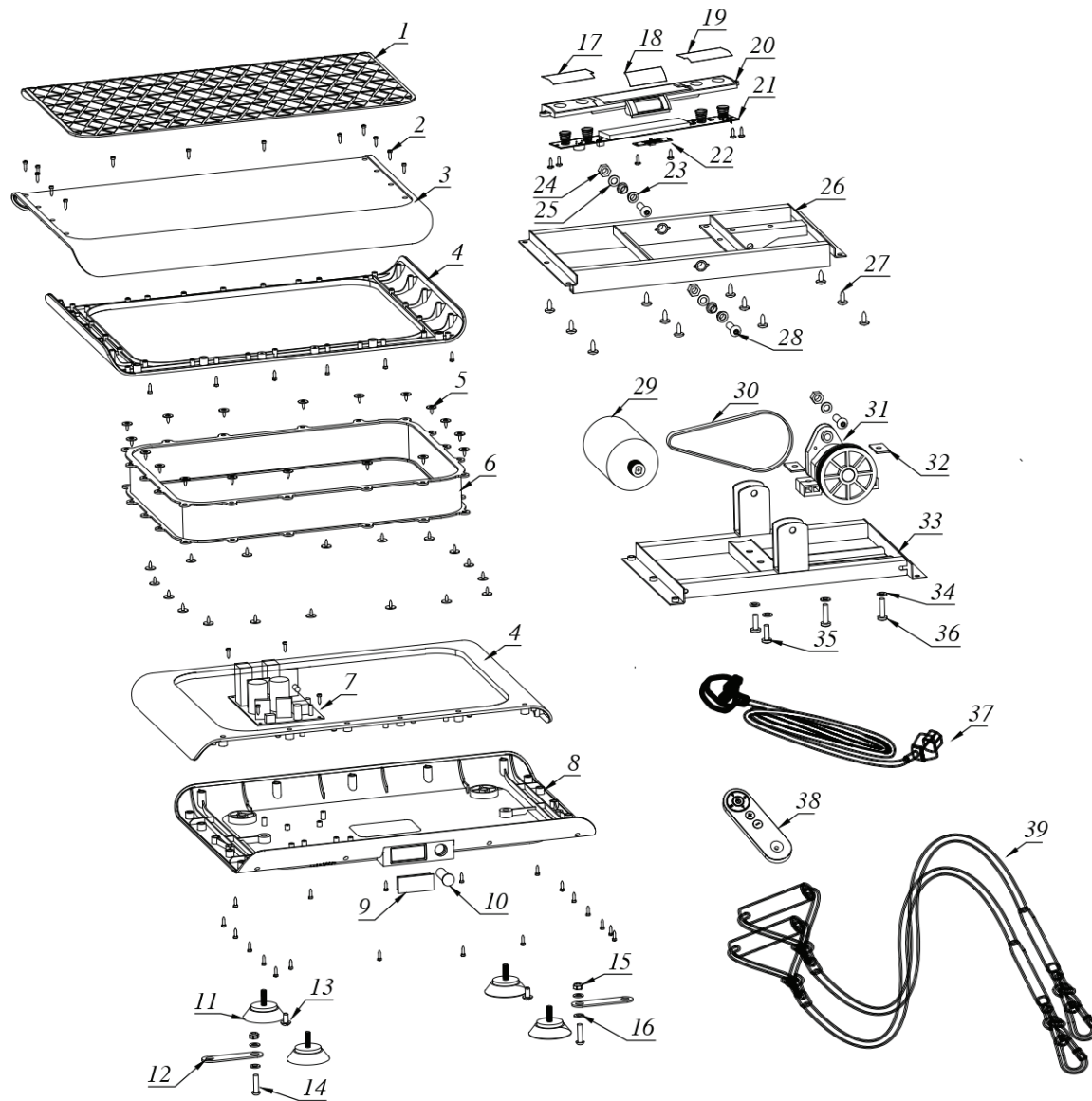


Vibration Plate

sVibe Lite



**EXPLOSION-DRAWING /
EXPLOSIONSZEICHNUNG**

Vibration Plate

sVibe Lite

No. in explosion drawing	Item No.	Descriptions
1	SP_sVibe_Lite_01	Mat
2	SP_sVibe_Lite_02	Cross Recessed Oval Head Tapping Screw ST3x8
3	SP_sVibe_Lite_03	Upper Housing
4	SP_sVibe_Lite_04	Middle Housing
5	SP_sVibe_Lite_05	Cross Recessed Oval Head Tapping Screw With Washer ST3x8 36
6	SP_sVibe_Lite_06	Fabric Bag
7	SP_sVibe_Lite_07	Electric Controller
8	SP_sVibe_Lite_08	Base Housing
9	SP_sVibe_Lite_09	Power Switch
10	SP_sVibe_Lite_10	Fuse Socket
11	SP_sVibe_Lite_11	Foot Pad
12	SP_sVibe_Lite_12	Resistance Band Plate
13	SP_sVibe_Lite_13	Truss Head Screw M6x10
14	SP_sVibe_Lite_14	Hexagon Socket Oval Head Bolt M6x30
15	SP_sVibe_Lite_15	Lock Nut M6
16	SP_sVibe_Lite_16	Washer φ6
17	SP_sVibe_Lite_17	Right Overlay
18	SP_sVibe_Lite_18	Left Overlay
19	SP_sVibe_Lite_19	LED Overlay
20	SP_sVibe_Lite_20	PCB Bracket
21	SP_sVibe_Lite_21	Display Board
22	SP_sVibe_Lite_22	LED Board
23	SP_sVibe_Lite_23	Plastic Bushing
24	SP_sVibe_Lite_24	Lock Nut M8

No. in explosion drawing	Item No.	Descriptions
25	SP_sVibe_Lite_25	Washer φ8
26	SP_sVibe_Lite_26	Main Frame
27	SP_sVibe_Lite_27	Truss Head Tapping Screw ST5X14
28	SP_sVibe_Lite_28	Hexagon Socket Oval Head Bolt M8x40
29	SP_sVibe_Lite_29	Motor
30	SP_sVibe_Lite_30	Motor Belt
31	SP_sVibe_Lite_31	Driving Shafting
32	SP_sVibe_Lite_32	Fixture Plate
33	SP_sVibe_Lite_33	Base Frame
34	SP_sVibe_Lite_34	Spring Washer φ6
35	SP_sVibe_Lite_35	Hexagon Socket Oval Head Bolt M8x25
36	SP_sVibe_Lite_36	Truss Head Screw M6x25
37	SP_sVibe_Lite_37	Power Cord
38	SP_sVibe_Lite_38	Remote Controller
39	SP_sVibe_Lite_39	Resistance Band