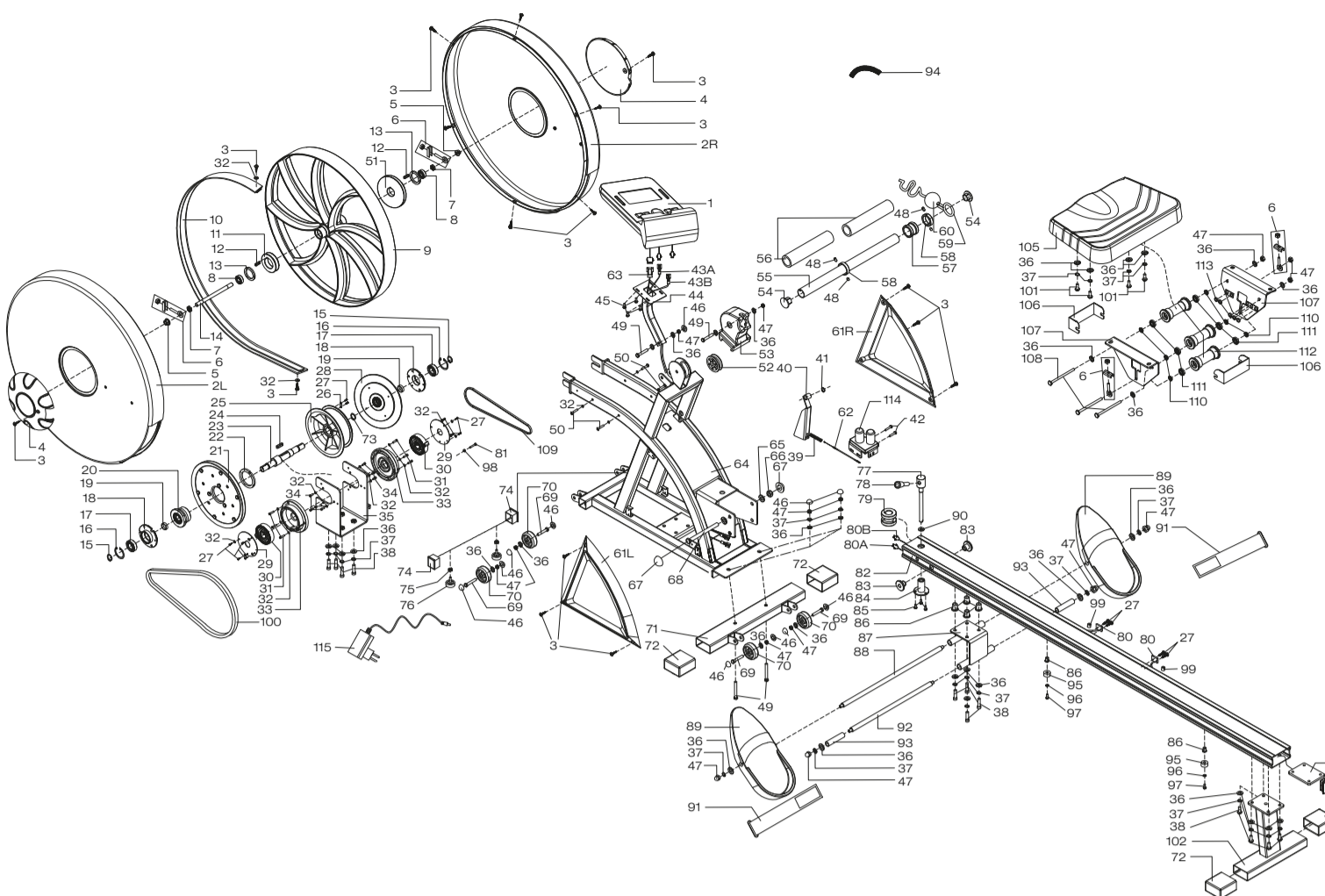


# EXPLOSION-DRAWING / SPAREPARTS-OVERVIEW

## EXPLOSIONSZEICHNUNG / ERSATZTEILLISTE



**SPORTSTECH**

**ROWING MACHINE RSX600 / RUDERGERÄT RSX600**

Number in explosion drawing	Item number	Description
1	SP_RSX600_01	Console
2	SP_RSX600_02R	Right steel cover
2	SP_RSX600_02L	Left steel cover
3	SP_RSX600_03	Screw ST 4.2x16xD8
4	SP_RSX600_04	Decoration cover
5	SP_RSX600_05	Flange nut M10x1
6	SP_RSX600_06	Adjusting screw M6x40xD10x2.5
7	SP_RSX600_07	Nut M10x1
8	SP_RSX600_08	Bearing 6000ZZ
9	SP_RSX600_09	Plastic rim
10	SP_RSX600_10	Rubber ring 26.5x6.8x2000
11	SP_RSX600_11	Small belt wheel D60x4xD33
12	SP_RSX600_12	Flat key C type 5x5xD
13	SP_RSX600_13	Nut M33x14D42x4
14	SP_RSX600_14	Impeller shaft D10xD50
15	SP_RSX600_15	Collar for shaft D17
16	SP_RSX600_16	Collar for hole D35
17	SP_RSX600_17	Bearing 6003Z
18	SP_RSX600_18	Bearing bracket D73x14xD35
19	SP_RSX600_19	Spacer D22xD18x6
20	SP_RSX600_20	Spacer for belt wheel D58x33xM48x10
21	SP_RSX600_21	Belt wheel D215x13
22	SP_RSX600_22	Nut D61x5xM48x10
23	SP_RSX600_23	Axle for digging rope wheel D25.4x174
24	SP_RSX600_24	Flat key C type 6x6x25
25	SP_RSX600_25	Digging rope wheel D160x50
26	SP_RSX600_26	Pressing board t15x6x19
27	SP_RSX600_27	Screw ST3xD
28	SP_RSX600_28	Inertial wheel D210x25
29	SP_RSX600_29	Fastening board for spring t15xD80
30	SP_RSX600_30	Spring t0.6xD63x15xN14
31	SP_RSX600_31	Screw M5x16
32	SP_RSX600_32	Washer D5xD10x10
33	SP_RSX600_33	Spring bracket D102x26.5
34	SP_RSX600_34	Screw M5xD
35	SP_RSX600_35	Big U seat
36	SP_RSX600_36	Washer D8xD20x2
37	SP_RSX600_37	Spring washer D8
38	SP_RSX600_38	Screw M8x20xS6
39	SP_RSX600_39	Spring D12xD15x54xN10
40	SP_RSX600_40	Magnetic plate
41	SP_RSX600_41	Washer D6xD16x15
42	SP_RSX600_42	Screw M5x M5xDxD10
43	SP_RSX600_43a	Trunk wire length 900 out
43	SP_RSX600_43b	Trunk wire length 900 in
44	SP_RSX600_44	Computer bracket
45	SP_RSX600_45	Screw M5x8
46	SP_RSX600_46	End cap S16
47	SP_RSX600_47	Nut M8xH7.5xS16
48	SP_RSX600_48	Screw M6x6
49	SP_RSX600_49	Bolt M8x45x20xS14
50	SP_RSX600_50	Screw M5x25
51	SP_RSX600_51	Small belt wheel 2 D125x14xD33
52	SP_RSX600_52	Pulley D51x19xD8
53	SP_RSX600_53	Digging rope bracket 15x90.5x74
54	SP_RSX600_54	End cap D28x16
55	SP_RSX600_55	Pulling bar
56	SP_RSX600_56	Foam grip D26x5x175
57	SP_RSX600_57	Wheel for pulling bar D38x30
58	SP_RSX600_58	Limited seat for pulling bar D38xD
59	SP_RSX600_59	Digging rope D5x2800
60	SP_RSX600_60	Rubber ball SD47
61	SP_RSX600_61L	Left chain cover 335x296x20
61	SP_RSX600_61R	Right chain cover 335x296x21
62	SP_RSX600_62	Electronical tension wire
63	SP_RSX600_63	Trunk wire length 1000
64	SP_RSX600_64	Main frame

Number in explosion drawing	Item number	Description
65	SP_RSX600_65	Washer D10xD20x2.0
66	SP_RSX600_66	Nut M10xH9.5xS17
67	SP_RSX600_67	End cap S16
68	SP_RSX600_68	Bolt M10x12x14xS17
69	SP_RSX600_69	Bolt M8x35
70	SP_RSX600_70	Idler wheel D50xD8x19.2
71	SP_RSX600_71	Front stabilizer
72	SP_RSX600_72	End cap J60x30
73	SP_RSX600_73	Collar for shaft D20
74	SP_RSX600_74	End cap F30x30x16
75	SP_RSX600_75	Nut M8
76	SP_RSX600_76	Foot pad D43x14xM8x25
77	SP_RSX600_77	Knob D25x160xM12
78	SP_RSX600_78	Knob handle D20x80
79	SP_RSX600_79	Fastening bush D45x418
80	SP_RSX600_80a	Trunk wire length 900 out
80	SP_RSX600_80b	Trunk wire length 900 in
81	SP_RSX600_81	Bolt M6x30xSD
82	SP_RSX600_82	Aluminum sliding rail 80x40x1500
83	SP_RSX600_83	Spacer for sliding rail D32x4.5xD10
84	SP_RSX600_84	T-bush D45x22xM12
85	SP_RSX600_85	Screw M5x16
86	SP_RSX600_86	Nut D14xM8
87	SP_RSX600_87	Pedal support
88	SP_RSX600_88	Long shaft for pedal D13x434xM8xD
89	SP_RSX600_89	Pedal 320x140x55
90	SP_RSX600_90	Washer D12xD24x2
91	SP_RSX600_91	Pedal strap
92	SP_RSX600_92	Short shaft for pedal D13x355xM8xD
93	SP_RSX600_93	Bush for pedal shaft D16xD15x97
94	SP_RSX600_94	Cable duct
95	SP_RSX600_95	Foot pad D33x13
96	SP_RSX600_96	Washer D6xD16x15
97	SP_RSX600_97	Screw M6x16xD12
98	SP_RSX600_98	Nut M6xH5xS1
99	SP_RSX600_99	Grommet D12x1xD3
100	SP_RSX600_100	Belt Z1295
101	SP_RSX600_101	Bolt M8x20xS14
102	SP_RSX600_102	Rear stabilizer
103	SP_RSX600_103	Rear nut board T6x88x68
104	SP_RSX600_104	End cap J80x40x17.5
105	SP_RSX600_105	Saddle 365x262x50
106	SP_RSX600_106	Ublock
107	SP_RSX600_107	Left support for saddle
108	SP_RSX600_108	Nut M8x25x16
109	SP_RSX600_109	Belt Z1143
110	SP_RSX600_110	Spacer for pulley D8xD15x4
111	SP_RSX600_111	Bearing 608Z
112	SP_RSX600_112	Pulley D40x192
113	SP_RSX600_113	Magnet D10x3
114	SP_RSX600_114	Motor
115	SP_RSX600_115	Adaptor
not in drawing	SP_RSX600_117	Nut D14xM8
not in drawing	SP_RSX600_118	Screw M6x12xD12
not in drawing	SP_RSX600_119	Spring washer D6
not in drawing	SP_RSX600_120	Cable
not in drawing	SP_RSX600_121	Seat set
not in drawing	SP_RSX600_122	Plastic splint
not in drawing	SP_RSX600_123L	Spring box set left
not in drawing	SP_RSX600_123R	Spring box set right
not in drawing	SP_RSX600_124	Main rail complete
not in drawing	SP_RSX600_126	Dipping rope wheel complete
not in drawing	SP_RSX600_Carton_1/2	Carton for A quality for device
not in drawing	SP_RSX600_Carton_2/2	Carton for A quality for sliding rail
not in drawing	SP_RSX600_Manual	Manual
not in drawing	SP_RSX600_Screw set	Screw and tool set