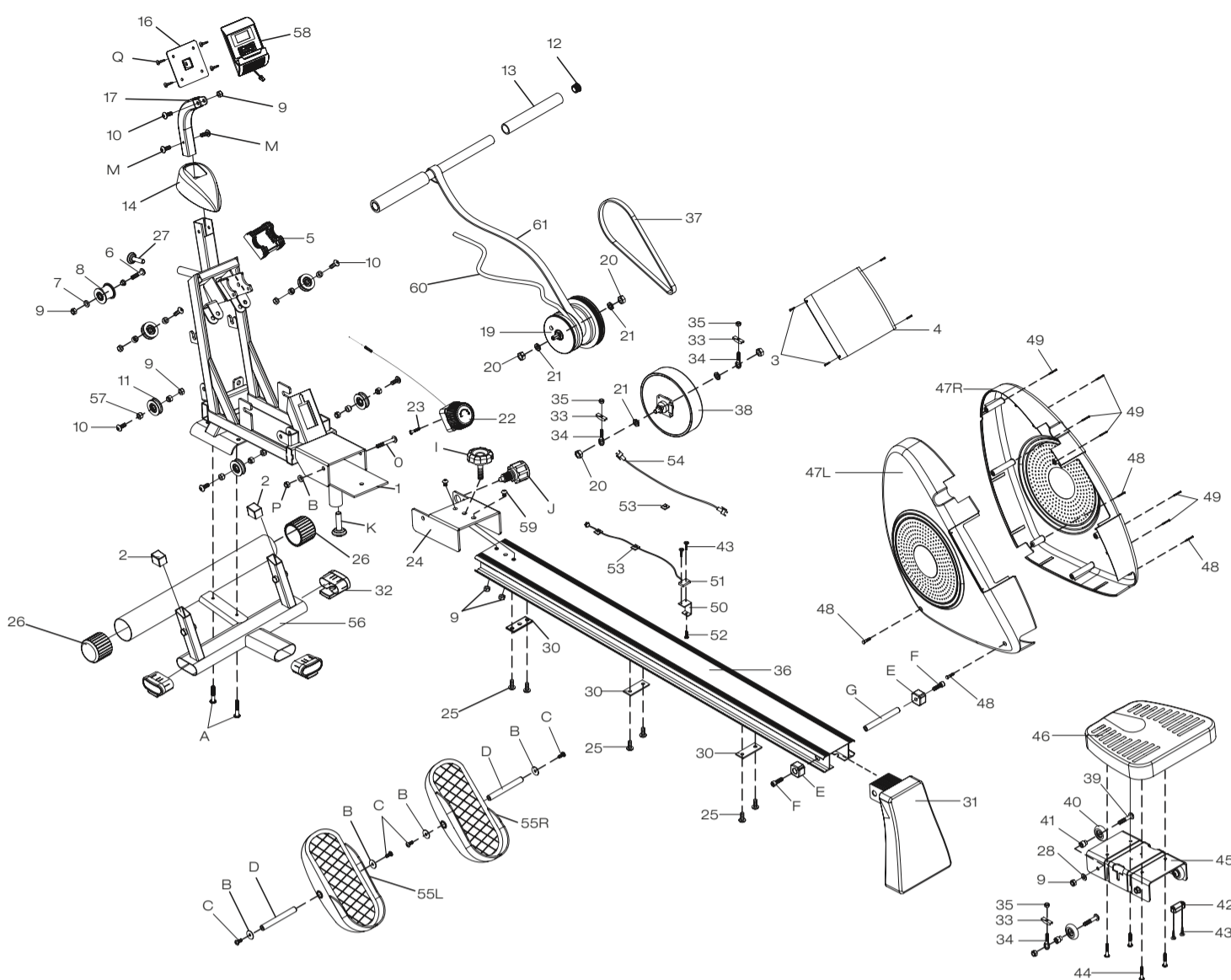


EXPLOSION-DRAWING / SPAREPARTS-OVERVIEW

EXPLOSIONSZEICHNUNG / ERSATZTEILLISTE



SPORTSTECH

ROWING MACHINE RSX400
RUDERGERÄT RSX400

| Number in explosion drawing | Item number | Description |
|-----------------------------|--------------|-------------------------|
| 1 | SP_RSX400_01 | Main frame |
| 2 | SP_RSX400_02 | End cap |
| 3 | SP_RSX400_03 | Screw |
| 4 | SP_RSX400_04 | Plastic cover |
| 5 | SP_RSX400_05 | Plastic pad |
| 6 | SP_RSX400_06 | Bolt M8x55 |
| 7 | SP_RSX400_07 | Sleeve |
| 8 | SP_RSX400_08 | Plastic wheel |
| 9 | SP_RSX400_09 | Nut M8 |
| 10 | SP_RSX400_10 | Bolt M8x35 |
| 11 | SP_RSX400_11 | Pully |
| 12 | SP_RSX400_12 | End cap |
| 13 | SP_RSX400_13 | Grip |
| 14 | SP_RSX400_14 | Decorative covers |
| 15 | SP_RSX400_15 | Rowing handle bar |
| 16 | SP_RSX400_16 | Square plate |
| 17 | SP_RSX400_17 | Square plate support |
| 19 | SP_RSX400_19 | Magnetic flywheel |
| 20 | SP_RSX400_20 | Nut |
| 21 | SP_RSX400_21 | Nut |
| 22 | SP_RSX400_22 | Tension knob and cable |
| 23 | SP_RSX400_23 | Screw M5x15 |
| 24 | SP_RSX400_24 | Hollow bushing |
| 25 | SP_RSX400_25 | Bolt M6x15 |
| 26 | SP_RSX400_26 | End cap |
| 27 | SP_RSX400_27 | Knob |
| 28 | SP_RSX400_28 | Flat washer |
| 30 | SP_RSX400_30 | Enforcement plate |
| 31 | SP_RSX400_31 | Rear plastic stabilizer |
| 32 | SP_RSX400_32 | End cap |
| 33 | SP_RSX400_33 | U- shaped piece |
| 34 | SP_RSX400_34 | Bolt M6x20 |
| 35 | SP_RSX400_35 | Nut M6 |
| 36 | SP_RSX400_36 | Main Rail |
| 37 | SP_RSX400_37 | Belt |
| 38 | SP_RSX400_38 | Magnetic flywheel |
| 39 | SP_RSX400_39 | Bolt M8x30 |
| 40 | SP_RSX400_40 | Wheel |
| 41 | SP_RSX400_41 | Sleeve |
| 42 | SP_RSX400_42 | Magnet |
| 43 | SP_RSX400_43 | Screws M3x10 |
| 44 | SP_RSX400_44 | Bolt M6x12 |
| 45 | SP_RSX400_45 | Saddle support frame |

| Number in explosion drawing | Item number | Description |
|-----------------------------|---------------------|-------------------------|
| 46 | SP_RSX400_46 | Saddle |
| 47 | SP_RSX400_47L | Left plastics cover |
| 47 | SP_RSX400_47R | Right plastics cover |
| 48 | SP_RSX400_48 | Screw M4x20 |
| 49 | SP_RSX400_49 | Screw M4x12 |
| 50 | SP_RSX400_50 | Sensor fasten plate |
| 51 | SP_RSX400_51 | Sensor |
| 52 | SP_RSX400_52 | Screw M5x10 |
| 53 | SP_RSX400_53 | Strain relief bushing |
| 54 | SP_RSX400_54 | Sensor wire of computer |
| 55 | SP_RSX400_55L | Left pedal |
| 55 | SP_RSX400_55R | Right pedal |
| 56 | SP_RSX400_56 | Front stabilizer |
| 57 | SP_RSX400_57 | Sleeve |
| 58 | SP_RSX400_58 | Console |
| 59 | SP_RSX400_59 | Hexergon bolt M8x20 |
| 60 | SP_RSX400_60 | Rope 1 |
| 61 | SP_RSX400_61 | Rope 2 |
| 62 | SP_RSX400_62 | Bolt M8x25 |
| 63 | SP_RSX400_63 | Screw for console |
| A | SP_RSX400_A | Bolt M8x38 |
| B | SP_RSX400_B | Washer |
| C | SP_RSX400_C | Bolt M8x15 |
| D | SP_RSX400_D | Axle |
| E | SP_RSX400_E | Rubber Cushion |
| F | SP_RSX400_F | Bolt M8x30 |
| G | SP_RSX400_G | Axle |
| H | SP_RSX400_H | Wrench S6 |
| I | SP_RSX400_I | Knob |
| J | SP_RSX400_J | Knob |
| K | SP_RSX400_K | Foot |
| M | SP_RSX400_M | Bolt M6x10 |
| N | SP_RSX400_N | Key |
| O | SP_RSX400_O | Bolt M8x130 |
| P | SP_RSX400_P | Nut |
| not in drawing | SP_RSX400_W | Wrench S5 |
| not in drawing | SP_RSX400_64 | Seat set |
| not in drawing | SP_RSX400_65 | Rail set |
| not in drawing | SP_RSX400_66 | Sticker |
| not in drawing | SP_RSX400_67 | Springbox complet |
| not in drawing | SP_RSX400_Carton | Carton |
| not in drawing | SP_RSX400_Manual | Manual |
| not in drawing | SP_RSX400_Screw set | Screw and tool set |