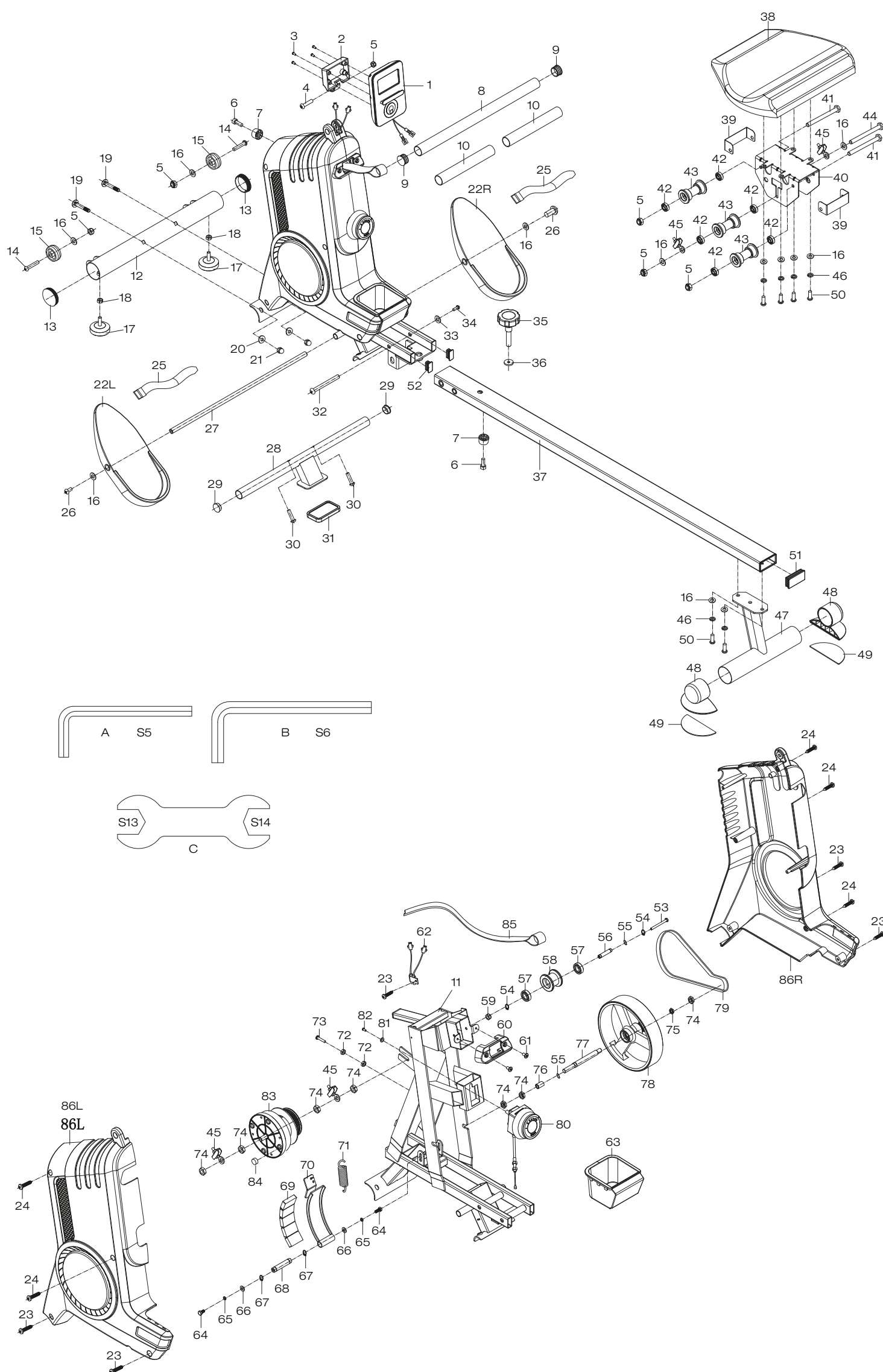


EXPLOSION-DRAWING / SPAREPARTS-OVERVIEW

EXPLOSIONSZEICHNUNG / ERSATZTEILLISTE



SPORTSTECH

ROWING MACHINE RSX300

RUDERGERÄT RSX300

Number in explosion drawing	Item number	Description
1	SP_RSX300_01	Computer
2	SP_RSX300_02	Computer holder
3	SP_RSX300_03	Bolt
4	SP_RSX300_04	Bolt M8x35
5	SP_RSX300_05	Nylon nut M8xH7.5
6	SP_RSX300_06	Bolt M6x30
7	SP_RSX300_07	Rubber pad
8	SP_RSX300_08	Handlebar
9	SP_RSX300_09	Round end cap
10	SP_RSX300_10	Foam grip
11	SP_RSX300_11	Main Frame
12	SP_RSX300_12	Front stabilizer
12	SP_RSX300_12_WT	Front stabilizer white
13	SP_RSX300_13	Round end cap D50
14	SP_RSX300_14	Bolt M8x40
15	SP_RSX300_15	Transportation wheel
16	SP_RSX300_16	Washer D8xD16x1.5
17	SP_RSX300_17	Adjustable pad
18	SP_RSX300_18	Nut M8xH5.5xS14
19	SP_RSX300_19	Bolt M8x60
20	SP_RSX300_20	Arc washer D8xD20
21	SP_RSX300_21	Cap nut M8xH16
22	SP_RSX300_22L	Pedal left
22	SP_RSX300_22R	Pedal right
23	SP_RSX300_23	Screw ST4.2x16
24	SP_RSX300_24	Screw ST4.2x19
25	SP_RSX300_25	Pedal strap
26	SP_RSX300_26	Bolt M8x16
27	SP_RSX300_27	Bolt
28	SP_RSX300_28	Pedal holder
28	SP_RSX300_28_WT	Pedal holder white
29	SP_RSX300_29	Round end cap D25x15
30	SP_RSX300_30	Bolt M8x35
31	SP_RSX300_31	Rubber pad
32	SP_RSX300_32	Bolt D10x95
33	SP_RSX300_33	Washer D10x20x2
34	SP_RSX300_34	Bolt M6x16
35	SP_RSX300_35	Knob
36	SP_RSX300_36	Washer D12xD24x2
37	SP_RSX300_37	Rail
37	SP_RSX300_37_WT	Rail white
38	SP_RSX300_38	Seat
39	SP_RSX300_39	U Shape baffle
39	SP_RSX300_39_WT	U Shape baffle white
40	SP_RSX300_40	Seat support
40	SP_RSX300_40_WT	Seat support white
41	SP_RSX300_41	Bolt M8x90
42	SP_RSX300_42	Bearing 608
43	SP_RSX300_43	Idler wheel D36x69
44	SP_RSX300_44	Bolt M8x100
45	SP_RSX300_45	Adjusting screw

Number in explosion drawing	Item number	Description
46	SP_RSX300_46	Spring washer D8
47	SP_RSX300_47	Rear stabilizer
47	SP_RSX300_47_WT	Rear stabilizer white
48	SP_RSX300_48	End cap
49	SP_RSX300_49	Non-Slip mat
50	SP_RSX300_50	Bolt M8x20
51	SP_RSX300_51	End cap J60x30
52	SP_RSX300_52	End cap F30x15
53	SP_RSX300_53	Bolt M6x55
54	SP_RSX300_54	Washer D10
55	SP_RSX300_55	Wave washer D10
56	SP_RSX300_56	Fixing Axle for mesh belt
57	SP_RSX300_57	Bearing 6000
58	SP_RSX300_58	Mesh belt wheel
59	SP_RSX300_59	Nylon nut M6xH6
60	SP_RSX300_60	Handlebar seat
61	SP_RSX300_61	Bolt M5x10
62	SP_RSX300_62	Sensor
63	SP_RSX300_63	Storage box
64	SP_RSX300_64	Bolt M6x16
65	SP_RSX300_65	Spring washer D6
66	SP_RSX300_66	Washer D10xD20
67	SP_RSX300_67	Washer D12
68	SP_RSX300_68	Magnetic plate shaft
69	SP_RSX300_69	Magnet 40x25x10
70	SP_RSX300_70	Magnetic plate
71	SP_RSX300_71	Spring
72	SP_RSX300_72	Nut M6xH5
73	SP_RSX300_73	Bolt M6x55
74	SP_RSX300_74	Nut M10x1
75	SP_RSX300_75	Nut M10x1
76	SP_RSX300_76	Spacer
77	SP_RSX300_77	Flywheel axle
78	SP_RSX300_78	Inertial wheel
79	SP_RSX300_79	Belt 5PJ240
80	SP_RSX300_80	Tension knob
81	SP_RSX300_81	Washer D5xD20
82	SP_RSX300_82	Bolt M5x25
83	SP_RSX300_83	Mesh belt plate
84	SP_RSX300_84	Round magnet
85	SP_RSX300_85	Mesh belt
86	SP_RSX300_86L	Chain cover left
86	SP_RSX300_86L_WT	Chain cover left white
86	SP_RSX300_86R	Chain cover right
86	SP_RSX300_86R_WT	Chain cover right white
A	SP_RSX300_A	Allen wrench S5
B	SP_RSX300_B	Allen wrench S6
C	SP_RSX300_C	Spanner S13-14
not in drawing	SP_RSX300_Manual	Manual
not in drawing	SP_RSX300_Carton	Carton
not in drawing	SP_RSX300_Screw set	Screw and tool set