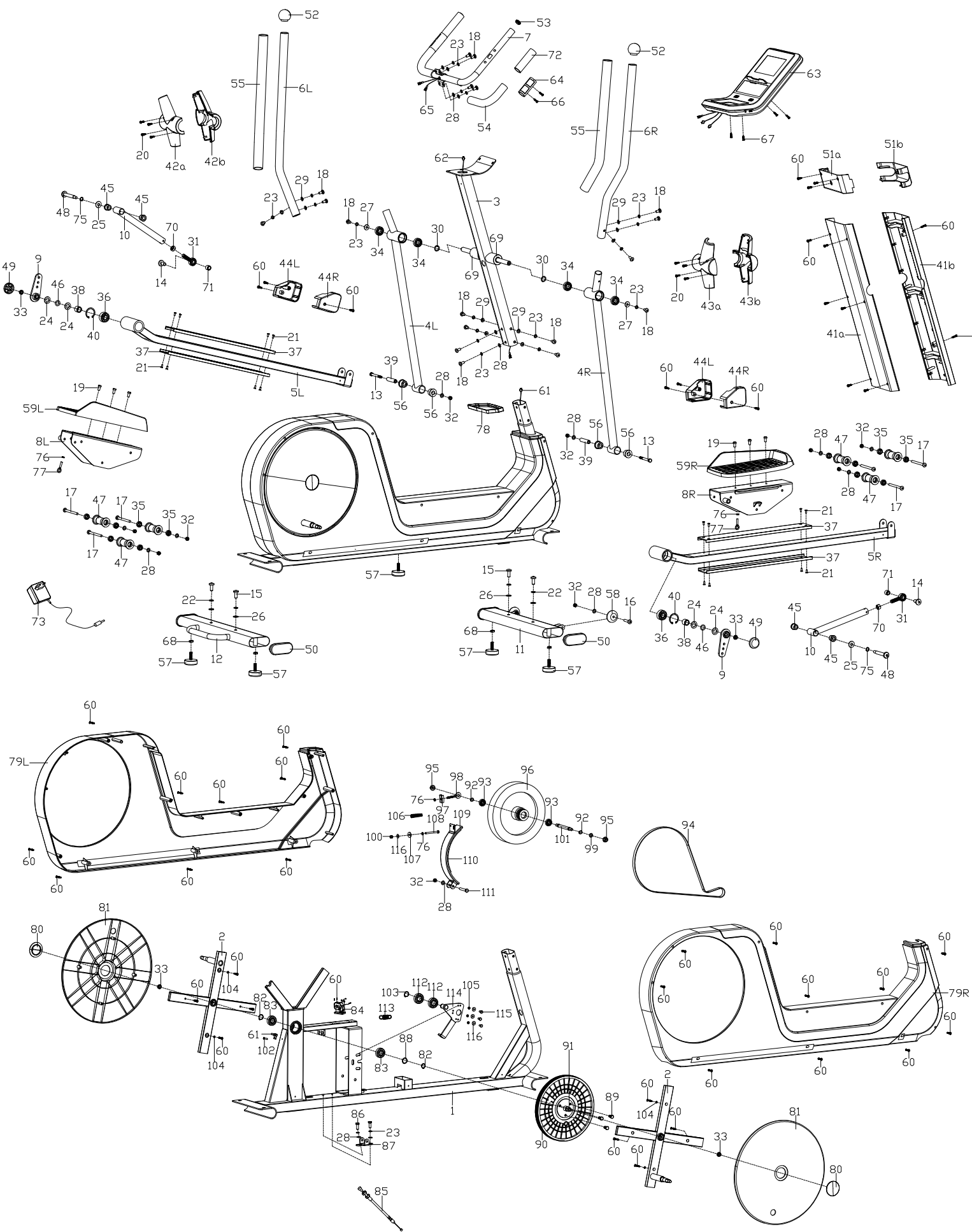


EXPLOSION-DRAWING / SPAREPARTS-OVERVIEW

EXPLOSIONSZEICHNUNG / ERSATZTEILLISTE



SPORTSTECH

CROSSTRAINER LCX800
CROSSTRAINER LCX800

Number in explosion drawing	Item number	Description
1	SP_LCX800_01	Main frame
2	SP_LCX800_02	Rotation frame
3	SP_LCX800_03	Handlebar post
4	SP_LCX800_04L	Left reciprocating bar
4	SP_LCX800_04R	Right reciprocating bar
5	SP_LCX800_05L	Left pedal bar
5	SP_LCX800_05R	Right pedal bar
6	SP_LCX800_06L	Left handlebar
6	SP_LCX800_06R	Right handlebar
7	SP_LCX800_07	Handrail
8	SP_LCX800_08L	Left pedal frame
8	SP_LCX800_08R	Right pedal frame
9	SP_LCX800_09	Adjustable crank
10	SP_LCX800_10	Guide bar
11	SP_LCX800_11	Front stabilizer
12	SP_LCX800_12	Rear stabilizer
13	SP_LCX800_13	Hex nut M8x75
14	SP_LCX800_14	Inner hex pan head bolt M12x45
15	SP_LCX800_15	Inner hex pan head bolt M10x25
16	SP_LCX800_16	Inner hex pan head bolt M8x38
17	SP_LCX800_17	Inner hex pan head bolt M8x95
18	SP_LCX800_18	Inner hex pan head bolt M8x16
19	SP_LCX800_19	Inner hex cylinder head bolt M8x15
20	SP_LCX800_20	Cross pan head self-drilling screw ST3.5x13
21	SP_LCX800_21	Cross counter-sunk head screw M5x12
22	SP_LCX800_22	Spring washer D10
23	SP_LCX800_23	Spring washer D8
24	SP_LCX800_24	Washer D16.2xD28x1
25	SP_LCX800_25	Washer D12xD24x1.5
26	SP_LCX800_26	Washer D10x2
27	SP_LCX800_27	Washer D8xD22x2
28	SP_LCX800_28	Washer D8x1.5
29	SP_LCX800_29	Curve washer D8xD20x1.5
30	SP_LCX800_30	Corrugated gasket D17.5xD24x0.6
31	SP_LCX800_31	Universal joint
32	SP_LCX800_32	Nylon nut M8
33	SP_LCX800_33	Flange nut M10x1.25
34	SP_LCX800_34	Bearing 6003Z
35	SP_LCX800_35	Bearing 608ZZ
36	SP_LCX800_36	Bearing 2203
37	SP_LCX800_37	Aluminum plate
38	SP_LCX800_38	Bush D16.2xD23x18.5
39	SP_LCX800_39	D14xD8.5x59.7
40	SP_LCX800_40	Circlip D40
41	SP_LCX800_41A	Handlebar post cover A
41	SP_LCX800_41B	Handlebar post cover B
42	SP_LCX800_42A	Left reciprocating cover A
42	SP_LCX800_42B	Left reciprocating cover B
43	SP_LCX800_43A	Right reciprocating cover A
43	SP_LCX800_43B	Right reciprocating cover B
44	SP_LCX800_44L	Left pedal bar cover
44	SP_LCX800_44R	Right pedal bar cover
45	SP_LCX800_45	Shaft sleeve
46	SP_LCX800_46	O ring
47	SP_LCX800_47	Wheel 1
48	SP_LCX800_48	Inner hex pan head bolt D12x69
49	SP_LCX800_49	Cap
50	SP_LCX800_50	Elliptical end cap
51	SP_LCX800_51A	Handlebar cover A
51	SP_LCX800_51B	Handlebar cover B
52	SP_LCX800_52	Sphere head cap
53	SP_LCX800_53	Curve head cap
54	SP_LCX800_54	Foam D24xT3x245
55	SP_LCX800_55	Foam D31xT3x420
56	SP_LCX800_56	Shaft sleeve
57	SP_LCX800_57	Horizontal adjuster
58	SP_LCX800_58	Wheel 2
59	SP_LCX800_59L	Left pedal
59	SP_LCX800_59R	Right pedal

Number in explosion drawing	Item number	Description
60	SP_LCX800_60	Cross pan head self-drilling screw ST4.2x18
61	SP_LCX800_61	Sensor wire
62	SP_LCX800_62	Trunk wire
63	SP_LCX800_63	Display
64	SP_LCX800_64	Handle pulse
65	SP_LCX800_65	Pulse wire
66	SP_LCX800_66	Cross pan head self-drilling screw ST3x10
67	SP_LCX800_67	Cross pan head screw M5x10
68	SP_LCX800_68	Hex nut M10
69	SP_LCX800_69	Sleeve
70	SP_LCX800_70	Hex nut M12
71	SP_LCX800_71	Sleeve D12xD18x14.5
72	SP_LCX800_72	Foam D24xT3x120
73	SP_LCX800_73	Adaptor
75	SP_LCX800_75	Corrugated washer D12
76	SP_LCX800_76	Nut M6
77	SP_LCX800_77	Bolt
78	SP_LCX800_78	Rubber ring
79	SP_LCX800_79L	Left chain cover
79	SP_LCX800_79R	Right chain cover
80	SP_LCX800_80	Cap for rotation cover
81	SP_LCX800_81	Rotation cover
82	SP_LCX800_82	Shaft collar
83	SP_LCX800_83	Bearing 6004RS
84	SP_LCX800_84	Motor
85	SP_LCX800_85	Resistance wire
86	SP_LCX800_86	Bolt M8x15
87	SP_LCX800_87	Fixation seat
88	SP_LCX800_88	Corrugated washer
89	SP_LCX800_89	Bolt M8x12
90	SP_LCX800_90	Belt wheel
91	SP_LCX800_91	Shaft
92	SP_LCX800_92	Shaft collar D12
93	SP_LCX800_93	Bearing 6001Z
94	SP_LCX800_94	Belt
95	SP_LCX800_95	Flange nut M10x1
96	SP_LCX800_96	Flywheel
97	SP_LCX800_97	U seat
98	SP_LCX800_98	Screw M6x40xD10x2.5
99	SP_LCX800_99	Tapered sleeve D10xD16x3
100	SP_LCX800_100	Nylon nut M10
101	SP_LCX800_101	Flywheel shaft
102	SP_LCX800_102	Inner hex pan head screw
103	SP_LCX800_103	Shaft collar D17
104	SP_LCX800_104	Washer D5xD16x1.2
105	SP_LCX800_105	Sleeve
106	SP_LCX800_106	Pressing spring
107	SP_LCX800_107	Rubber pad
108	SP_LCX800_108	Bolt M6x65
109	SP_LCX800_109	Magnet seat
110	SP_LCX800_110	Magnet
111	SP_LCX800_111	Bolt M8x50
112	SP_LCX800_112	Bearing 6203RS
113	SP_LCX800_113	Pulling spring
114	SP_LCX800_114	Inertial wheel frame
115	SP_LCX800_115	Bolt M6x12
116	SP_LCX800_116	Washer D6xD16x1.2
Not in drawing	SP_LCX800_117	Sleeve
Not in drawing	SP_LCX800_118	Copper washer M8
Not in drawing	SP_LCX800_119	Tool set
Not in drawing	SP_LCX800_120	Montage set
Not in drawing	SP_LCX800_121	Pedal set new left
Not in drawing	SP_LCX800_122	Power socket
Not in drawing	SP_LCX800_123	Power switch
Not in drawing	SP_LCX800_Carton	Carton
Not in drawing	SP_LCX800_Manual	Manual
Not in drawing	SP_LCX800_Screw set	Screw set