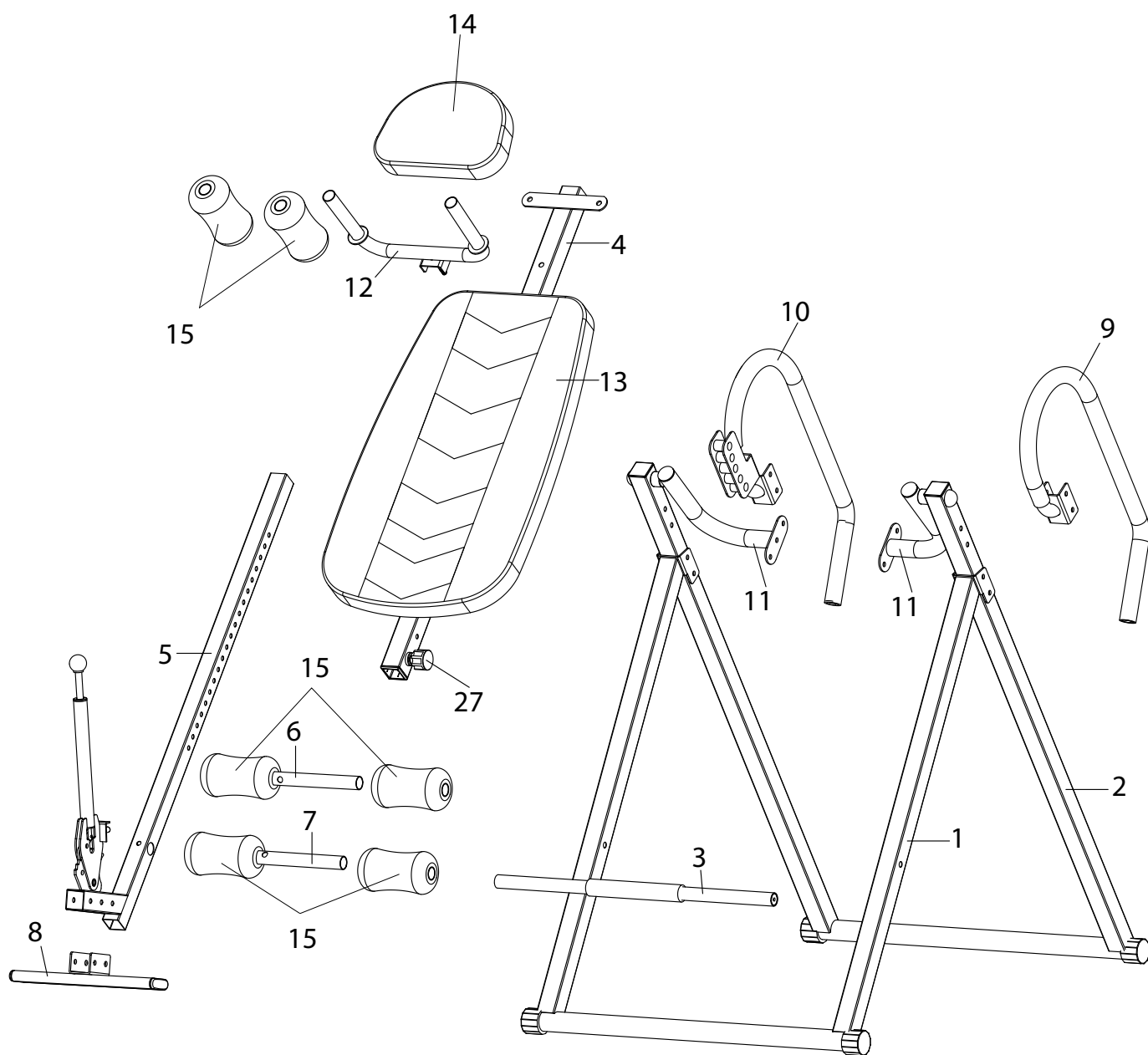


EXPLOSION-DRAWING / SPAREPARTS-OVERVIEW

EXPLOSIONSZEICHNUNG / ERSATZTEILLISTE



SPORTSTECH

INVERSION TABLE IT200
SCHWERKRAFTTRAINER IT200

Number in explosion drawing	Item number	Description
1	SP_IT200_01	Front main frame
2	SP_IT200_02	Rear main frame
3	SP_IT200_03	Stopper bar
4	SP_IT200_04	Backrest support tube
5	SP_IT200_05	Body geight adjust tube
6	SP_IT200_06	UP foam roller bend tube
7	SP_IT200_07	Down foam roller tube
8	SP_IT200_08	Foot rest plate
9	SP_IT200_09	Left handlebar
10	SP_IT200_10	Right handlebar
11	SP_IT200_11	Z type tube left

Number in explosion drawing	Item number	Description
12	SP_IT200_12	U type shoulder tube
13	SP_IT200_13	Backrest pad
14	SP_IT200_14	Headrest pad
15	SP_IT200_15	Foam roller
not in drawing	SP_IT200_Carton_Bottom	Carton for A quality bottom
not in drawing	SP_IT200_Carton_Top	Carton for A quality top
not in drawing	SP_IT200_Manual	Manual
not in drawing	SP_IT200_Screw set	Screw and tool set