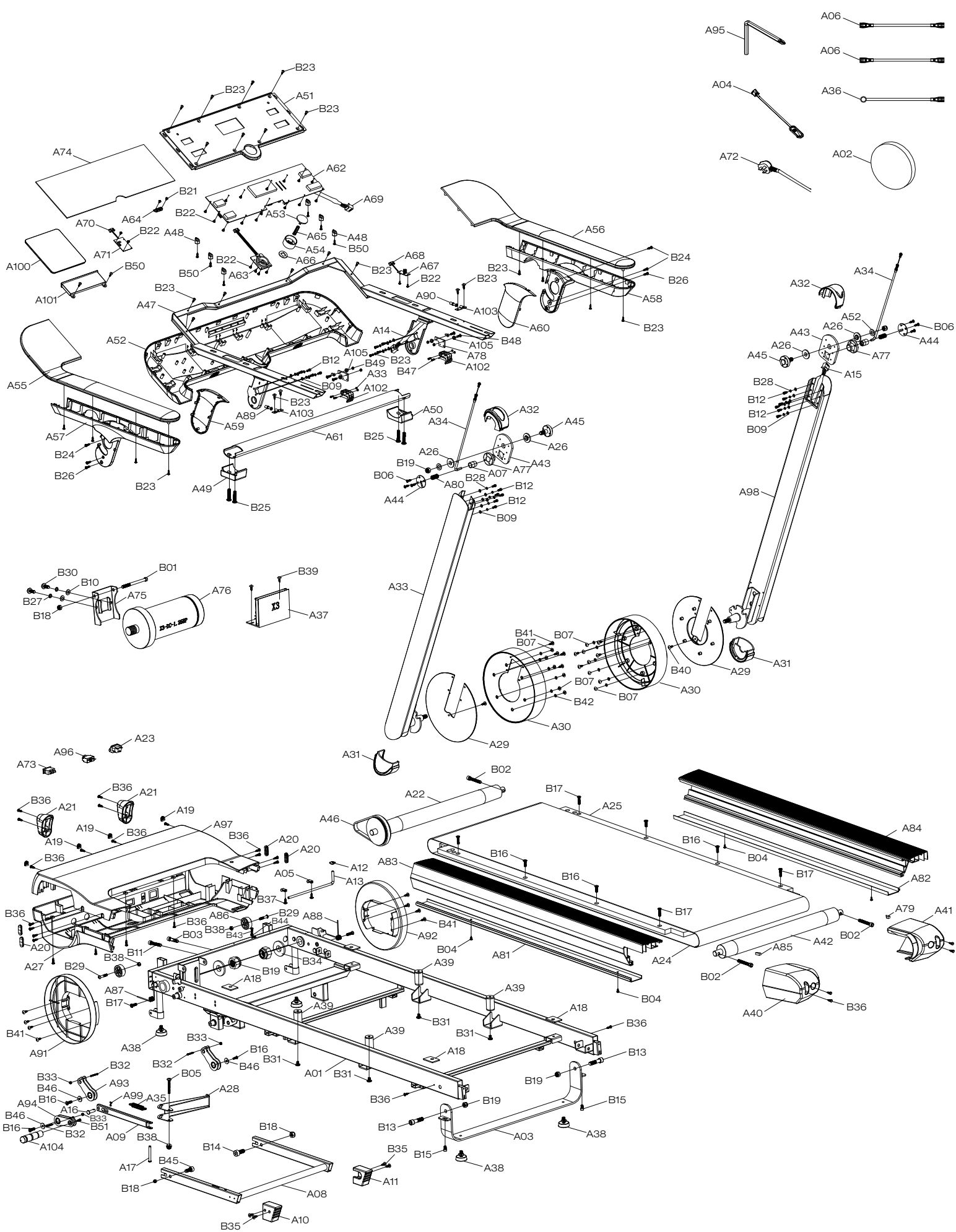


EXPLOSION-DRAWING / SPAREPARTS-OVERVIEW

EXPLOSIONSZEICHNUNG / ERSATZTEILLISTE



SPORTSTECH

TREADMILL FX3 PRO

LAUFBAND FX3 PRO

Number in explosion drawing	Item number	Description
A01	SP_FX3Pro_A01	Main frame
A02	SP_FX3Pro_A02	Phone sticker
A03	SP_FX3Pro_A03	Raer foot
A04	SP_FX3Pro_A04	Security lock
A05	SP_FX3Pro_A05	Cable clip
A06	SP_FX3Pro_A06	AC cable
A07	SP_FX3Pro_A07	Cone pin
A08	SP_FX3Pro_A08	Foot weldment
A09	SP_FX3Pro_A09	Foot weldment 2
A10	SP_FX3Pro_A10	Foot pad left
A11	SP_FX3Pro_A11	Foot pad right
A12	SP_FX3Pro_A12	Tubing cap
A13	SP_FX3Pro_A13	Wire
A14	SP_FX3Pro_A14	Signal line
A15	SP_FX3Pro_A15	Lower signal line
A16	SP_FX3Pro_A16	Pin 8x26
A17	SP_FX3Pro_A17	Pin 8x50
A18	SP_FX3Pro_A18	Rubber pad
A19	SP_FX3Pro_A19	Screw cover
A20	SP_FX3Pro_A20	Screw cap
A21	SP_FX3Pro_A21	Front foot pad
A22	SP_FX3Pro_A22	Front roller
A23	SP_FX3Pro_A23	Power socket
A24	SP_FX3Pro_A24	Running belt
A25	SP_FX3Pro_A25	Running board
A26	SP_FX3Pro_A26	Nylon bushing
A27	SP_FX3Pro_A27	Lower motor cover
A28	SP_FX3Pro_A28	Connecting rod
A29	SP_FX3Pro_A29	Decorative plate
A30	SP_FX3Pro_A30	Decorative plate cover
A31	SP_FX3Pro_A31	Lower column end cap
A32	SP_FX3Pro_A32	Upper column end cap
A33	SP_FX3Pro_A33	Side tube left
A34	SP_FX3Pro_A34	Tension wire 3
A35	SP_FX3Pro_A35	Tension spring
A36	SP_FX3Pro_A36	Lower controller wire
A37	SP_FX3Pro_A37	PCB board
A38	SP_FX3Pro_A38	Adjustable rear foot
A39	SP_FX3Pro_A39	Shock absorbin PU
A40	SP_FX3Pro_A40	Raer foot protection left
A41	SP_FX3Pro_A41	Raer foot protection right
A42	SP_FX3Pro_A42	Rear Roller
A43	SP_FX3Pro_A43	Fixing plate
A44	SP_FX3Pro_A44	Cover
A45	SP_FX3Pro_A45	Swivel screw
A46	SP_FX3Pro_A46	Motor belt
A47	SP_FX3Pro_A47	Meter head steel frame
A48	SP_FX3Pro_A48	Pressure block
A49	SP_FX3Pro_A49	Crossbar rubber pad left
A50	SP_FX3Pro_A50	Crossbar rubber pad right
A51	SP_FX3Pro_A51	Console cover
A52	SP_FX3Pro_A52	Console lower cover
A53	SP_FX3Pro_A53	Knob cap
A54	SP_FX3Pro_A54	Knob cover
A55	SP_FX3Pro_A55	Armrest cover left
A56	SP_FX3Pro_A56	Armrest cover right
A57	SP_FX3Pro_A57	Armrest lower cover left
A58	SP_FX3Pro_A58	Armrest lower cover right
A59	SP_FX3Pro_A59	Armrest side panel left
A60	SP_FX3Pro_A60	Armrest side panel right
A61	SP_FX3Pro_A61	Console crossbar
A62	SP_FX3Pro_A62	Display PCB
A63	SP_FX3Pro_A63	Knob illuminated PCB
A64	SP_FX3Pro_A64	Security lock PCB
A65	SP_FX3Pro_A65	Compression spring
A66	SP_FX3Pro_A66	Shading plate
A67	SP_FX3Pro_A67	Small PCB
A68	SP_FX3Pro_A68	Touch line
A69	SP_FX3Pro_A69	Signal line
A70	SP_FX3Pro_A70	WiFi cable
A71	SP_FX3Pro_A71	WiFi module
A72	SP_FX3Pro_A72	Power cable
A73	SP_FX3Pro_A73	Switch
A74	SP_FX3Pro_A74	Acrylic board
A75	SP_FX3Pro_A75	Motor mounting plate
A76	SP_FX3Pro_A76	Engine
A77	SP_FX3Pro_A77	Guide sleeve
A78	SP_FX3Pro_A78	Mounting plate
A79	SP_FX3Pro_A79	Rear foot guard right
A80	SP_FX3Pro_A80	Spring

Number in explosion drawing	Item number	Description
A81	SP_FX3Pro_A81	Sidebar left
A82	SP_FX3Pro_A82	Sidebar right
A83	SP_FX3Pro_A83	Side rail left
A84	SP_FX3Pro_A84	Side rail right
A85	SP_FX3Pro_A85	Rear foot guard left
A86	SP_FX3Pro_A86	Wheel
A87	SP_FX3Pro_A87	Torsion spring left
A88	SP_FX3Pro_A88	Torsion spring right
A89	SP_FX3Pro_A89	Screw
A90	SP_FX3Pro_A90	Screw
A91	SP_FX3Pro_A91	Pillar inside decorative cover left
A92	SP_FX3Pro_A92	Pillar inside decorative cover right
A93	SP_FX3Pro_A93	Column unlock welding
A94	SP_FX3Pro_A94	Pedal unlock sheet metal welding
A95	SP_FX3Pro_A95	Allen wrench
A96	SP_FX3Pro_A96	Overload protector
A97	SP_FX3Pro_A97	Engine Cover
A98	SP_FX3Pro_A98	Side tube right
A99	SP_FX3Pro_A99	Split pin
A100	SP_FX3Pro_A100	Support plate
A101	SP_FX3Pro_A101	Support plate cover
A102	SP_FX3Pro_A102	Pull handle
A103	SP_FX3Pro_A103	Pull wire tablet
A104	SP_FX3Pro_A104	Pedal shaft
A105	SP_FX3Pro_A105	Nut
B01	SP_FX3Pro_B01	Screw M8x95
B02	SP_FX3Pro_B02	Screw M8x55
B03	SP_FX3Pro_B03	Screw M8x35
B04	SP_FX3Pro_B04	Screw ST4x10
B05	SP_FX3Pro_B05	Screw M6x50
B06	SP_FX3Pro_B06	Screw M4x16
B07	SP_FX3Pro_B07	Screw ST4x8
B09	SP_FX3Pro_B09	Gasket D4.5x9xT0.8
B10	SP_FX3Pro_B10	Gasket D8.5x17xT1.5
B11	SP_FX3Pro_B11	Screw M8x45
B12	SP_FX3Pro_B12	Screw M4x10
B13	SP_FX3Pro_B13	Screw M10x40
B14	SP_FX3Pro_B14	Screw M8x50
B15	SP_FX3Pro_B15	Screw M6x10
B16	SP_FX3Pro_B16	Screw M6x20
B17	SP_FX3Pro_B17	Screw M6x25
B18	SP_FX3Pro_B18	Nut M8
B19	SP_FX3Pro_B19	Nut M10
B21	SP_FX3Pro_B21	Screw ST3.5x6
B22	SP_FX3Pro_B22	Screw ST3x6
B23	SP_FX3Pro_B23	Screw ST4x16
B24	SP_FX3Pro_B24	Screw ST4.2x13
B25	SP_FX3Pro_B25	Screw M8x35
B26	SP_FX3Pro_B26	Screw ST4x10
B27	SP_FX3Pro_B27	Washer D8
B28	SP_FX3Pro_B28	Washer D4
B29	SP_FX3Pro_B29	Screw M6x30
B30	SP_FX3Pro_B30	Screw M8x25
B31	SP_FX3Pro_B31	Screw M6x10
B32	SP_FX3Pro_B32	Screw M3x25
B33	SP_FX3Pro_B33	Gasket M3
B34	SP_FX3Pro_B34	Gasket D12.5xD35xT3.0
B35	SP_FX3Pro_B35	Screw ST4.2x13
B36	SP_FX3Pro_B36	Screw ST4.2x16
B37	SP_FX3Pro_B37	Screw ST4x14
B38	SP_FX3Pro_B38	Nut M6
B39	SP_FX3Pro_B39	Screw ST4x14
B40	SP_FX3Pro_B40	Screw ST4x25
B41	SP_FX3Pro_B41	Screw ST4x12
B42	SP_FX3Pro_B42	Gasket D4.5xD12xT1.0
B43	SP_FX3Pro_B43	Screw M4x10
B44	SP_FX3Pro_B44	Washer D4
B45	SP_FX3Pro_B45	Screw M8x60
B46	SP_FX3Pro_B46	Gasket D6.5xD18xT1.5
B47	SP_FX3Pro_B47	Screw M3x10
B48	SP_FX3Pro_B48	Screw M4x15
B49	SP_FX3Pro_B49	Nut M4
B50	SP_FX3Pro_B50	Screw ST8x16
B51	SP_FX3Pro_B51	Screw M4x40
B52	SP_FX3Pro_B52	Gasket D10.5xD20xT1.5
not in drawing	SP_FX3Pro_Carton	Carton
not in drawing	SP_FX3Pro_Manual	Manual
not in drawing	SP_FX3Pro_Screw set	Screw and tool set