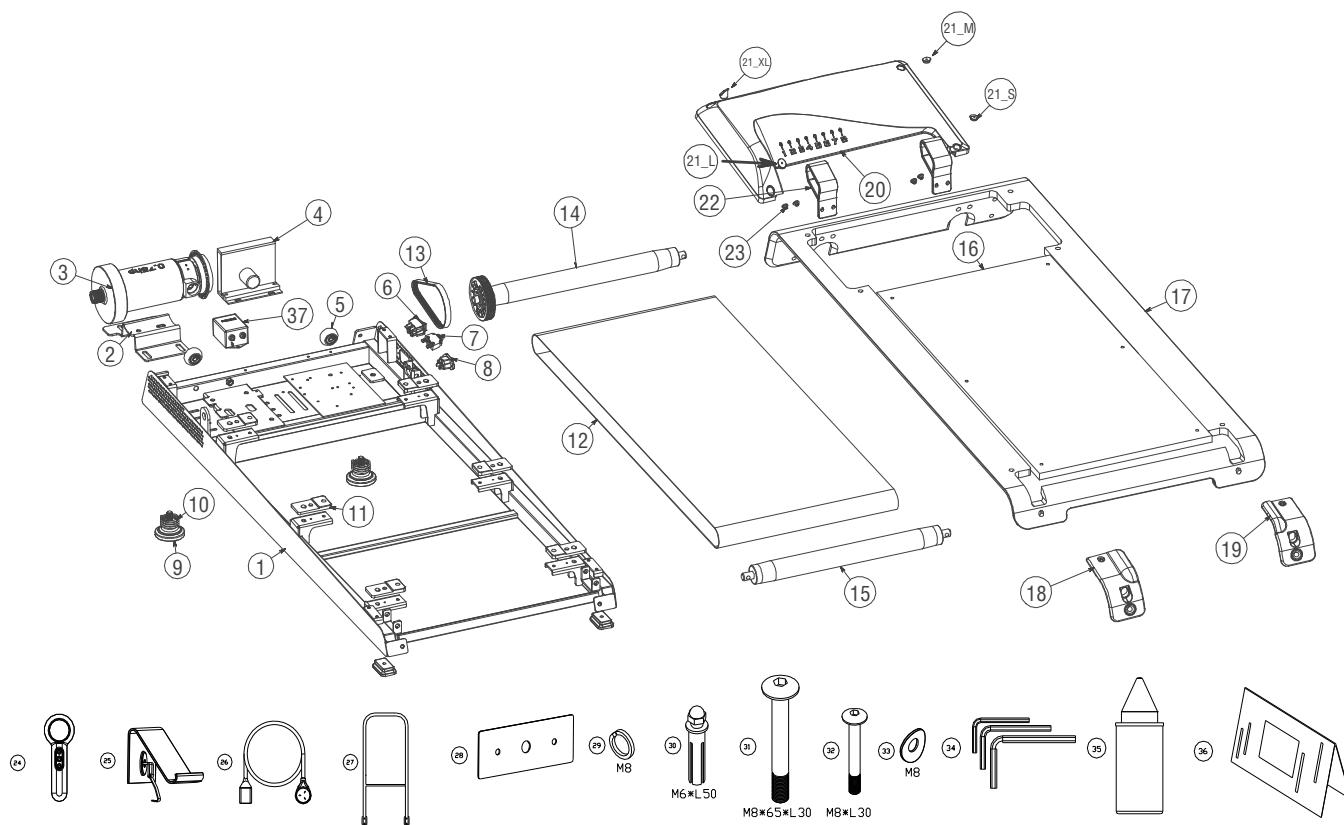


# EXPLOSION-DRAWING / SPAREPARTS-OVERVIEW

## EXPLOSIONSZEICHNUNG / ERSATZTEILLISTE



**SPORTSTECH**

**TREADMILL DFT200**  
**LAUFBAND DFT200**

Number in explosion drawing	Item number	Description
1	SP_DFT200_01	Main frame
2	SP_DFT200_02	Mounting frame
3	SP_DFT200_03	Motor
4	SP_DFT200_04	Regulator
5	SP_DFT200_05	Wheel
6	SP_DFT200_06	Power switch
7	SP_DFT200_07	Overload protection
8	SP_DFT200_08	Socket
9	SP_DFT200_09	Plastic mat
10	SP_DFT200_10	Spring
11	SP_DFT200_11	Rubber flat plug
12	SP_DFT200_12	Running mat
13	SP_DFT200_13	Belt
14	SP_DFT200_14	Front role
15	SP_DFT200_15	Rear role
16	SP_DFT200_16	Running board
17	SP_DFT200_17_SL	Wooden frame silver
17	SP_DFT200_17_DB	Wooden frame dark brown
17	SP_DFT200_17_HB	Wooden frame light brown
18	SP_DFT200_18	Left protection angle
19	SP_DFT200_19	Right protection angle
20	SP_DFT200_20	Motor cover

Number in explosion drawing	Item number	Description
21	SP_DFT200_21_M	Plug middle
21	SP_DFT200_21_S	Plug small
21	SP_DFT200_21_L	Plug large
21	SP_DFT200_21_XL	Plug extra large
22	SP_DFT200_22	Stand
23	SP_DFT200_23	Plug for stand
24	SP_DFT200_24	Remote
25	SP_DFT200_25	Tablet holder
26	SP_DFT200_26	Power cable
27	SP_DFT200_27	Handle
28	SP_DFT200_28	Double sided tape
29	SP_DFT200_29	Washer
30	SP_DFT200_30	Expansion screw M6
31	SP_DFT200_31	Screw M8
32	SP_DFT200_32	Screw M6x15
33	SP_DFT200_33	Washer
34	SP_DFT200_34	Tool
35	SP_DFT200_35	Oil
36	SP_DFT200_36	Manual
not in drawing	SP_DFT200_24	Convertor
not in drawing	SP_DFT200_Carton_Top	Carton top
not in drawing	SP_DFT200_Carton_Bottom	Carton bottom
not in drawing	SP_DFT200_Carton_Handle	Carton handle