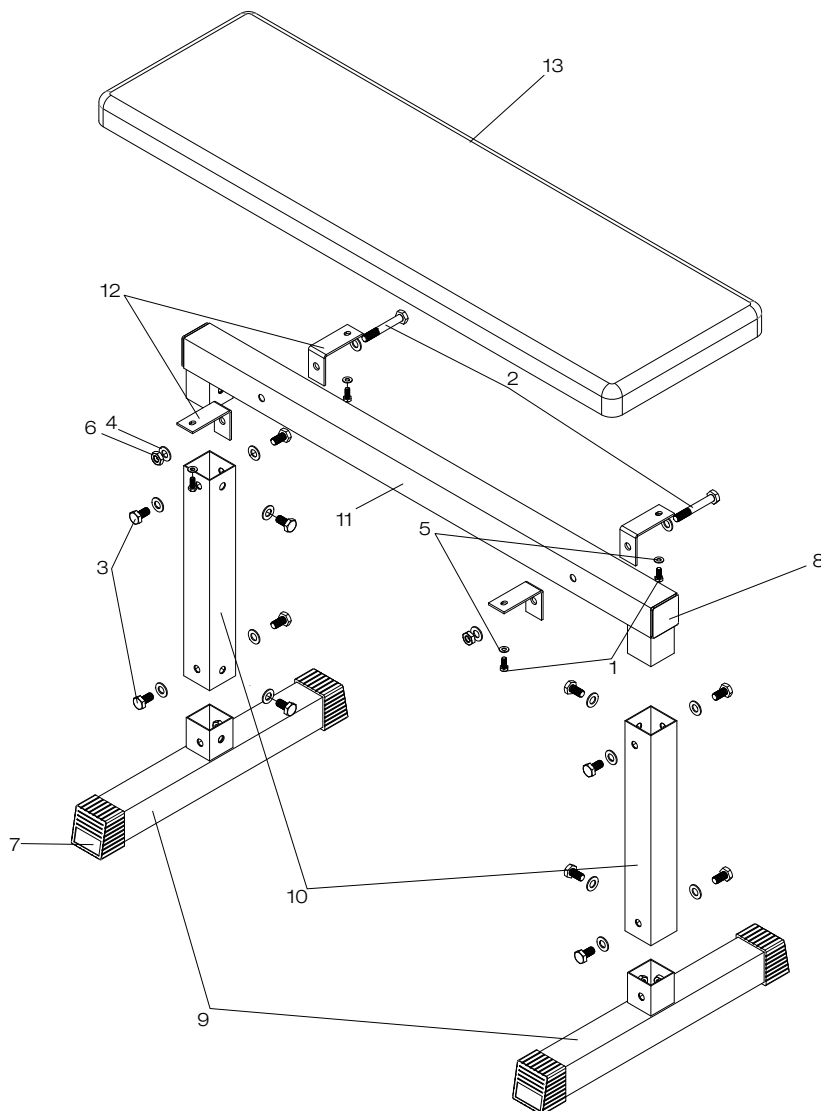


EXPLOSION-DRAWING / SPAREPARTS-OVERVIEW

EXPLOSIONSZEICHNUNG / ERSATZTEILLISTE



SPORTSTECH

WEIGHT BENCH BRT50
HANTELBAK BRT50

Number in explosion drawing	Item number	Description
1	SP_BRT50_01	Hex bolt M10x16
2	SP_BRT50_02	Hex bolt M10x70
3	SP_BRT50_03	Hex bolt M8x16
4	SP_BRT50_04	Washer M10x1.5t
5	SP_BRT50_05	Washer M8
6	SP_BRT50_06	Locknut M10
7	SP_BRT50_07	Rubber foot cap 50x50
8	SP_BRT50_08	Square end cap 50x50x1.5t
9	SP_BRT50_09	Foot tube

Number in explosion drawing	Item number	Description
10	SP_BRT50_10	upright
11	SP_BRT50_11	Frame
12	SP_BRT50_12	Connection plate
13	SP_BRT50_13	Cushion
not in drawing	SP_BRT50_Carton_Top	Carton top
not in drawing	SP_BRT50_Carton_BT	Carton bottom
not in drawing	SP_BRT50_Manual	Manual
not in drawing	SP_BRT50_Screw set	Screw and tool set