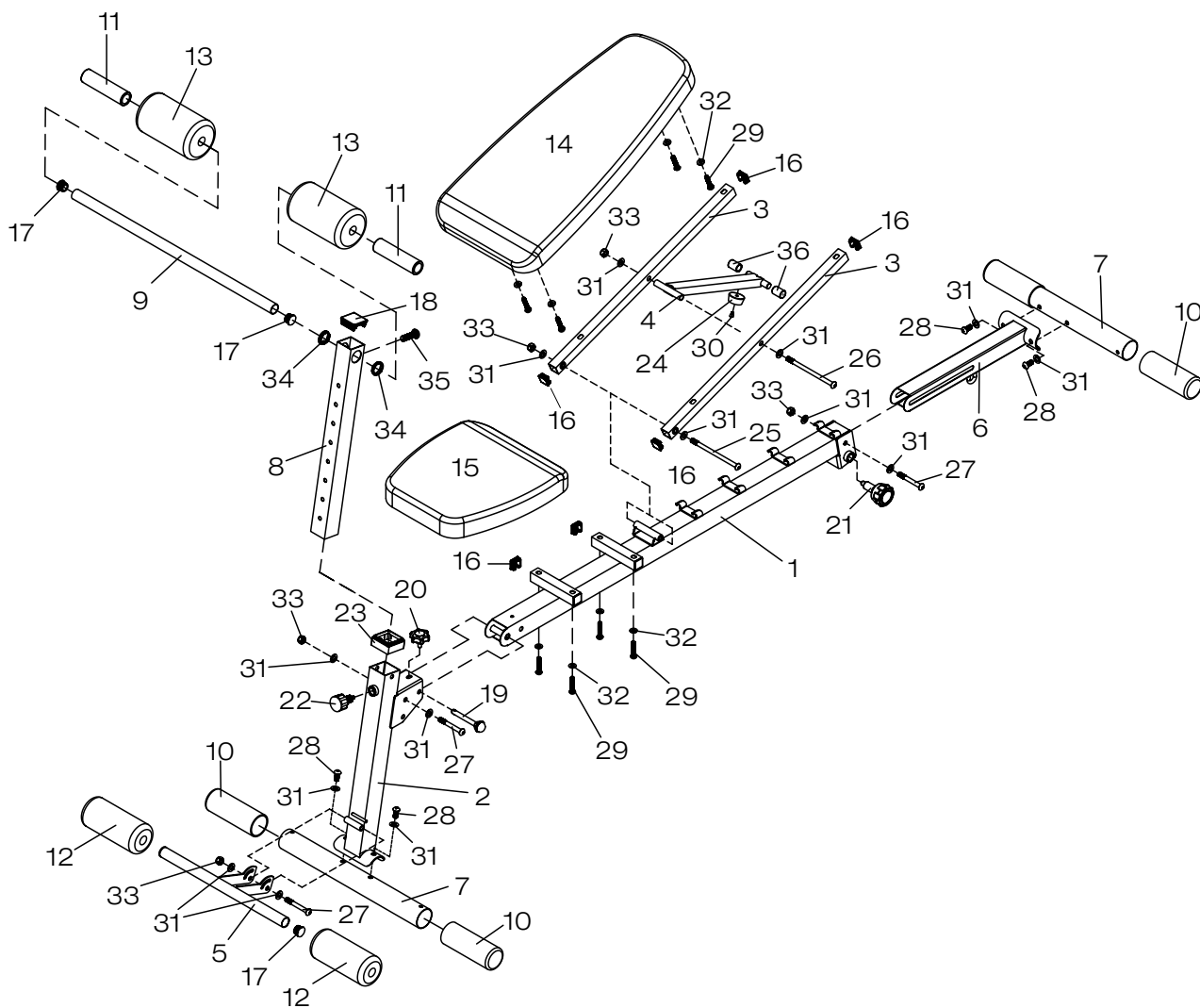


EXPLOSION-DRAWING / SPAREPARTS-OVERVIEW

EXPLOSIONSZEICHNUNG / ERSATZTEILLISTE



SPORTSTECH

WEIGHT BENCH BRT500 HANTELBAK BRT500

Number in explosion drawing	Item number	Description
1	SP_BRT500_01	Main frame
2	SP_BRT500_02	Front support
3	SP_BRT500_03	Backrest pad support
4	SP_BRT500_04	Incline support
5	SP_BRT500_05	Leg holder
6	SP_BRT500_06	Rear frame
7	SP_BRT500_07	Stabilizer
8	SP_BRT500_08	Adjustment frame
9	SP_BRT500_09	Foam roll tube
10	SP_BRT500_10	Foot
11	SP_BRT500_11	Handle grip
12	SP_BRT500_12	Small foam roll
13	SP_BRT500_13	Big foam roll
14	SP_BRT500_14_RD	Backrest pad red
14	SP_BRT500_14_BL	Backrest pad black
15	SP_BRT500_15_RD	Seat pad red
15	SP_BRT500_15_BL	Seat pad black
16	SP_BRT500_16	End cap D25
17	SP_BRT500_17	End cap D25
18	SP_BRT500_18	End cap D45
19	SP_BRT500_19	Lock pin
20	SP_BRT500_20	Lock knob M8 x 20

Number in explosion drawing	Item number	Description
21	SP_BRT500_21	Lock knob D53 x M18 x 1.5
22	SP_BRT500_22	Lock knob M16
23	SP_BRT500_23	Sleeve 50x45
24	SP_BRT500_24	Rubber bumper
25	SP_BRT500_25	Allen bolt M10x155
26	SP_BRT500_26	Allen bolt M10x150
27	SP_BRT500_27	Allen bolt M10x72
28	SP_BRT500_28	Allen Bolt M10x18
29	SP_BRT500_29	Allen bolt M10x40
30	SP_BRT500_30	Phillips screw
31	SP_BRT500_31	Washer D10
32	SP_BRT500_32	Washer D8
33	SP_BRT500_33	Aircraft nut M10
34	SP_BRT500_34	Bushing
35	SP_BRT500_35	Allen bolt M8x25
36	SP_BRT500_36	Rubber production sleeve
not in drawing	SP_BRT500_Carton_Top	Carton top
not in drawing	SP_BRT500_Carton_Bottom	Carton bottom
not in drawing	SP_BRT500_Manual	Manual
not in drawing	SP_BRT500_Poster	Training poster BRT500
not in drawing	SP_BRT500_Screw set	Screw and tool set