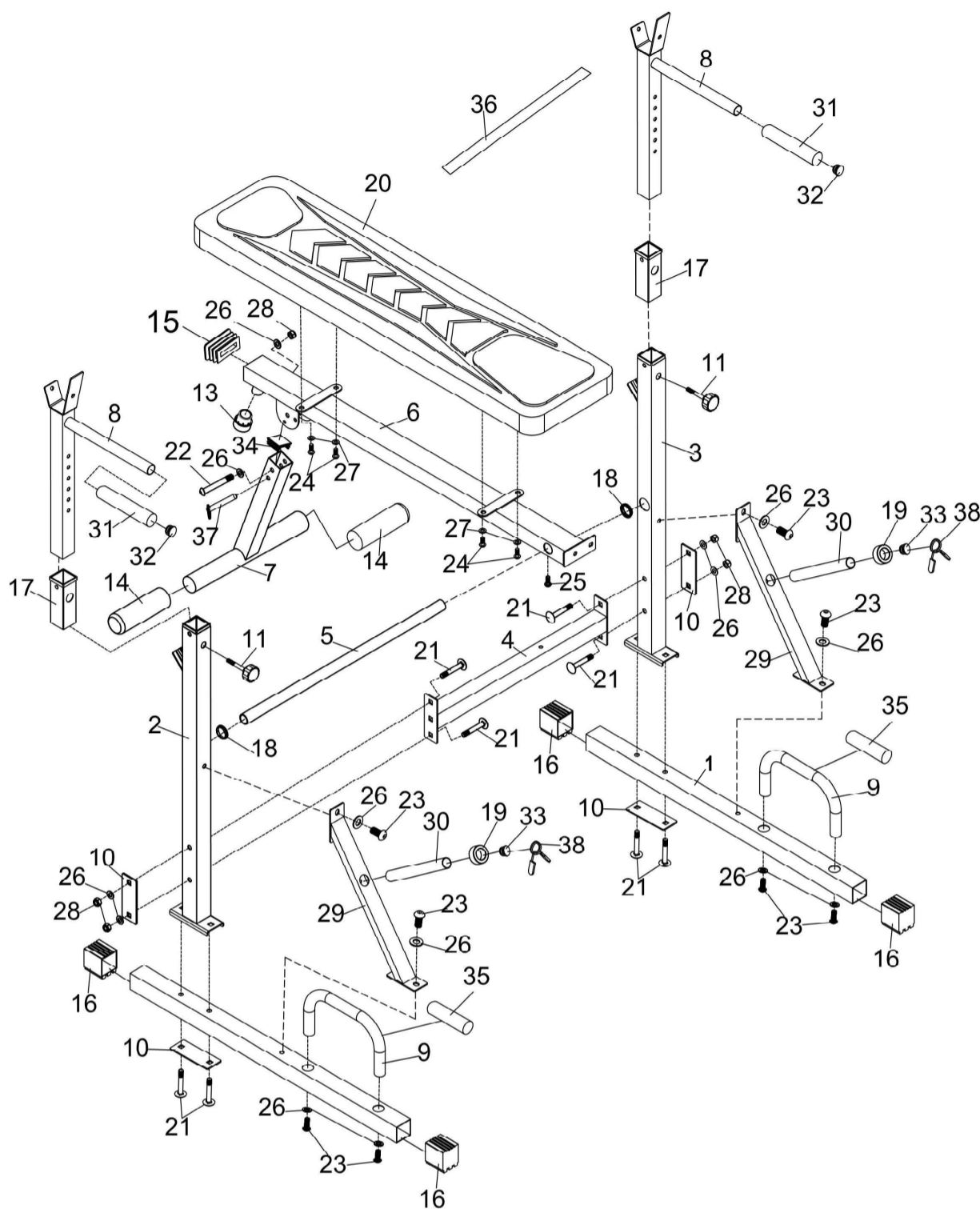


# EXPLOSION-DRAWING / SPAREPARTS-OVERVIEW

## EXPLOSIONSZEICHNUNG / ERSATZTEILLISTE



**SPORTSTECH**

**DUMBBELL BENCH BRT300**  
**HANTELBAK BRT300**

Number in explosion drawing	Item number	Description
1	SP_BRT300_01	Stabilizer
2	SP_BRT300_02	Left support
3	SP_BRT300_03	Right support
4	SP_BRT300_04	Cross beam
5	SP_BRT300_05	Rod
6	SP_BRT300_06	Pad support
7	SP_BRT300_07	Slant support
8	SP_BRT300_08	Catch
9	SP_BRT300_09	Push up frame
10	SP_BRT300_10	Bracket
11	SP_BRT300_11	Lock knob
13	SP_BRT300_13	Rubber bumper 40x25x38,5
14	SP_BRT300_14	Foot
15	SP_BRT300_15	End cap 40x60x1,5
16	SP_BRT300_16	45 foot
17	SP_BRT300_17	Sleeve 45x38
18	SP_BRT300_18	Bushing
19	SP_BRT300_19	Rubber bumper

Number in explosion drawing	Item number	Description
20	SP_BRT300_20	Pad
21	SP_BRT300_21	Carriage bolt M10x65
22	SP_BRT300_22	Allen bolt M10x60
23	SP_BRT300_23	Allen bolt M10x20
24	SP_BRT300_24	Allen bolt M8x18
25	SP_BRT300_25	Allen bolt M6x20
26	SP_BRT300_26	Washer D10
27	SP_BRT300_27	Washer D8
28	SP_BRT300_28	Aircraft nut M10
29	SP_BRT300_29	Slant bracket
30	SP_BRT300_30	Weight plate holder
31	SP_BRT300_31	Handle grip
32	SP_BRT300_32	End cap 25x2.5
33	SP_BRT300_33	End cap 25x1.5
34	SP_BRT300_34	End cap 40x1.5
35	SP_BRT300_35	Handle grip
36	SP_BRT300_36	Fabric strap
37	SP_BRT300_37	Lock pin
38	SP_BRT300_38	Spring collar