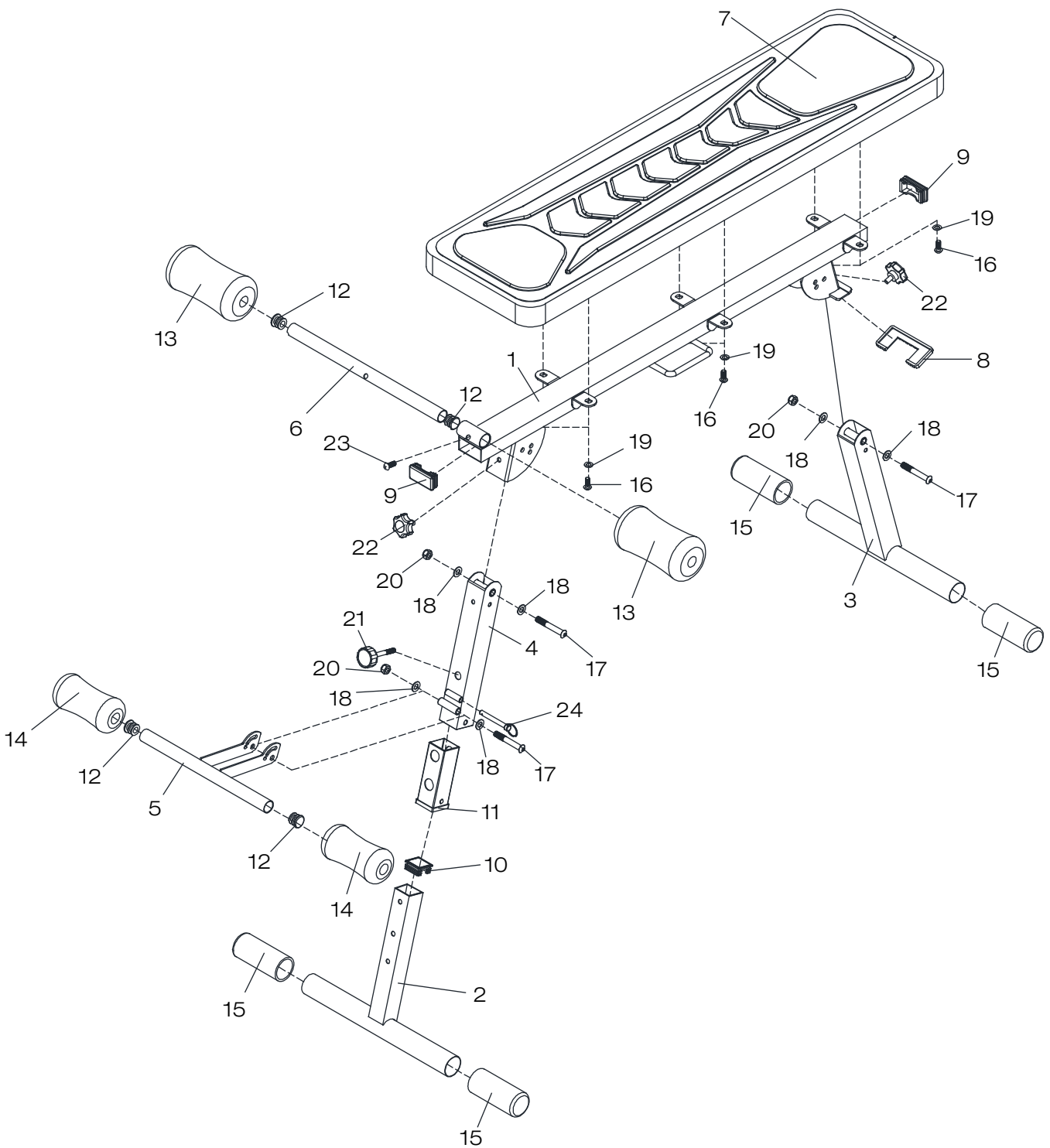


EXPLOSION-DRAWING / SPAREPARTS-OVERVIEW

EXPLOSIONSZEICHNUNG / ERSATZTEILLISTE



SPORTSTECH

WEIGHT BENCH BRT100 HANTELBANK BRT100

Number in explosion drawing	Item number	Description
1	SP_BRT100_01	Pad support
2	SP_BRT100_02	Front stabilizer
3	SP_BRT100_03	Rear stabilizer
4	SP_BRT100_04	Adjustment frame
5	SP_BRT100_05	Leg holder
6	SP_BRT100_06	Foam roll tube D25x400
7	SP_BRT100_07	Pad
7	SP_BRT100_07_RD	Pad red
8	SP_BRT100_08	Rubber bumper
9	SP_BRT100_09	End cap 30x60x1.5
10	SP_BRT100_10	End cap D38x1.5
11	SP_BRT100_11	Sleeve D45x38
12	SP_BRT100_12	End cap D25x1.2
13	SP_BRT100_13	Foam roll D22xD90 x170
14	SP_BRT100_14	Foam roll D22xD70x140

Number in explosion drawing	Item number	Description
15	SP_BRT100_15	Grip D42x115
16	SP_BRT100_16	Allen bolt M8x20
17	SP_BRT100_17	Allen bolt M10x70
18	SP_BRT100_18	Washer D10
19	SP_BRT100_19	Washer D8
20	SP_BRT100_20	Aircraft nut M10
21	SP_BRT100_21	Look knob M8x50
22	SP_BRT100_22	Look knob M8x15
23	SP_BRT100_23	Phillips screw M6x15
24	SP_BRT100_24	Look pin D8x67.5
not in drawing	SP_BRT100_Carton_Top	Carton top
not in drawing	SP_BRT100_Carton_Bottom	Carton bottom
not in drawing	SP_BRT100_Manual	Manual
not in drawing	SP_BRT100_Screw set	Screw and tool set
not in drawing	SP_BRT100_Sticker_01	Sticker 1